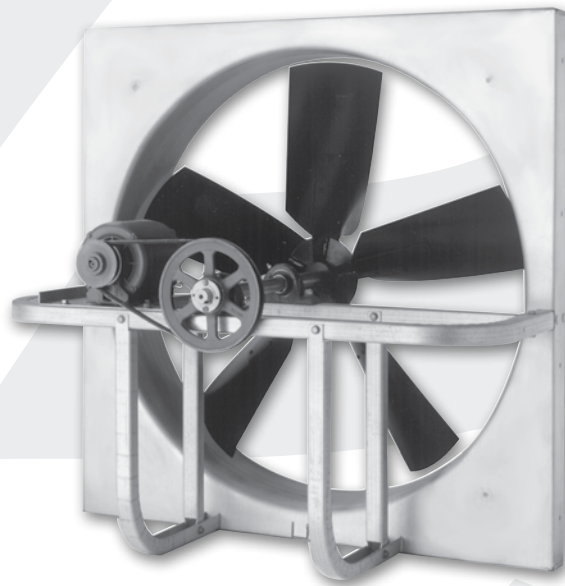




BZW09



BREEZEWAY | Wall Mounted Propeller Fans
Direct Drive and Belt Drive

MOVING YOUR WAY

› **Breezeway Direct Drive Series**

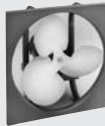
Model: P-Series

- Static pressure up to 1.25 in. wg.
- Flow capacity up to 6,500 CFM
- Exhaust or supply in light-duty applications
- Stamped aluminum propeller with steel hub, zinc-coated wire guard/power assembly mounted on RIS vibration isolators attached to a steel venturi panel
- Available in sizes 10" to 24"



Model: Breezex (BX)

- Static pressure up to 3/8 in. wg.
- Flow capacity up to 4,600 CFM
- Exhaust or supply in light-duty applications
- Stamped aluminum propeller with steel hub, a fabricated power assembly and steel venturi panel.
- Motors are base-mounted TE type
- Explosion-proof motors are available less reversing switch
- Available in sizes 10" to 24"



Model: BC-Series

- Static pressure up to .75 in. wg.
- Flow capacity up to 43,400 CFM
- Exhaust or supply in light-duty applications
- Available in sizes 24" to 54"



› **Breezeway Belt Drive Series**

Model: BLL-Series

- Static pressure up to .5 in. wg.
- Flow capacity up to 13,700 CFM
- Exhaust or supply in light-duty applications
- Fabricated steel propeller, fabricated steel power assembly, and a steel venturi panel
- Available in sizes 24" to 36"



Model: BHM-Series

- Static pressure up to 5/8 in. wg.
- Flow capacity up to 34,400 CFM
- Exhaust or supply in medium-duty applications
- High-efficiency fabricated steel propeller, galvanized power assembly, and a fully developed venturi, integrally spun into a galvanized panel
- Available in sizes 24" to 48"



Model: BHH-Series

- Static pressure up to 1 in. wg.
- Flow capacity up to 58,400 CFM
- Exhaust or supply in heavy-duty applications
- High-efficiency fabricated steel propeller, a robust galvanized power assembly that can handle high horsepower motors, and a fully developed venturi integrally spun into a galvanized panel
- Available in sizes 24" to 60"



Model: BCH-Series

- Static pressure up to 1 in. wg.
- Flow capacity up to 68,000 CFM
- Exhaust or supply in heavy-duty applications
- High-efficiency cast aluminum air foil propeller, a fabricated steel power assembly and a heavy gauge venturi panel
- Available in sizes 24" to 60"



Introduction.....2

Options and Accessories.....3

Motor Availability.....7

Direct Drive Dimensional & Performance Data.....9

Belt Drive Dimensional & Performance Data.....12

Engineering Specifications.....35

Limited Warranty.....IBC

› **Breezeway Direct & Belt Drive Fans**

PennBarry certifies that the Breezeway direct drive and belt drive models shown on pages 8 and 13 - 34 are licensed to bear the AMCA seal. The ratings shown are based on tests and procedures performed in accordance with AMCA publication 211 and AMCA publication 311 and comply with the requirements of the AMCA Certified Ratings Program.



› **UL and CSA Certification**

Breezeway fans (Models P, BLL, BHM, BHH & BCH) carry the UL label, UL 705, (ZACT), File #E28413.



Breezeway fans (Models P, BLL, BHM, BHH & BCH) are also certified by the Canadian Standard Association (File #LR13309).



PennBarry reserves the right to make changes at any time, without notice, to models, construction, specifications, options, availability, etc. This bulletin illustrates the appearance of PennBarry products at the time of publication. To view the latest updates, visit PennBarry at www.pennbarry.com.

Introduction

Breezeway Wall Mounted Propeller Fans

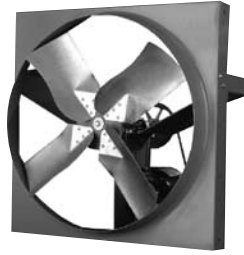


Introduction

Wall Mounted Propeller Fans



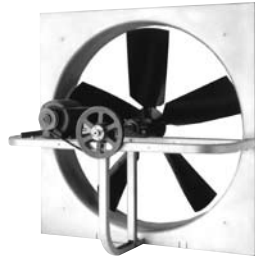
P-Series



BLL-Series



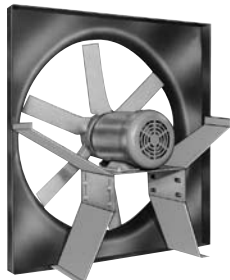
Breezex (BX)



BHM-Series



BHH-Series



BC-Series



BCH-Series

› Breezeway Series Wall Mounted Propeller Fans

The Breezeway propeller fan line provides a variety of solutions to address the needs of wall mounted exhaust and ventilation applications such as garages, factories, warehouses and other relatively clean air applications.

Whether steel or cast aluminum, all propellers in the Breezeway product line are statically and dynamically balanced to AMCA Standard 204-96, Balance Quality and Vibration Levels for Fans, to ensure quiet and reliable operation.

Breezeway fans allow one of the broadest motor selections in the industry. All fans are fully assembled and test run prior to shipping and belt drive models are pre-set to the specified RPM.

› Breezeway Direct Drive Series

Model: P-Series

- Static pressure up to 1.25 in. wg.
- Flow capacity up to 6,500 CFM
- Exhaust or supply in light-duty applications
- Stamped aluminum propeller with steel hub, zinc-coated wire guard/power assembly mounted on RIS vibration isolators attached to a steel venturi panel
- Available in sizes 10" to 24"

Model: Breezex (BX)

- Static pressure up to 3/8 in. wg.
- Flow capacity up to 4,600 CFM
- Exhaust or supply in light-duty applications
- Field reversible fan
- Stamped aluminum propeller with steel hub, a fabricated power assembly and steel venturi panel.
- Motors are base-mounted TE type
- Explosion-proof motors are available less reversing switch
- Available in sizes 10" to 24"

Model: BC-Series

- Static pressure up to .75 in. wg.
- Flow capacity up to 43,400 CFM
- Exhaust or supply in light-duty applications
- Available in sizes 24" to 54"

› Breezeway Belt Drive Series

Model: BLL-Series

- Static pressure up to .5 in. wg.
- Flow capacity up to 13,700 CFM
- Exhaust or supply in light-duty applications
- Fabricated steel propeller, fabricated steel power assembly, and a steel venturi panel
- Available in sizes 24" to 36"

Model: BHM-Series

- Static pressure up to 5/8 in. wg.
- Flow capacity up to 34,400 CFM
- Exhaust or supply in medium-duty applications
- High-efficiency fabricated steel propeller, galvanized power assembly, and a fully developed venturi, integrally spun into a galvanized panel
- Available in sizes 24" to 48"

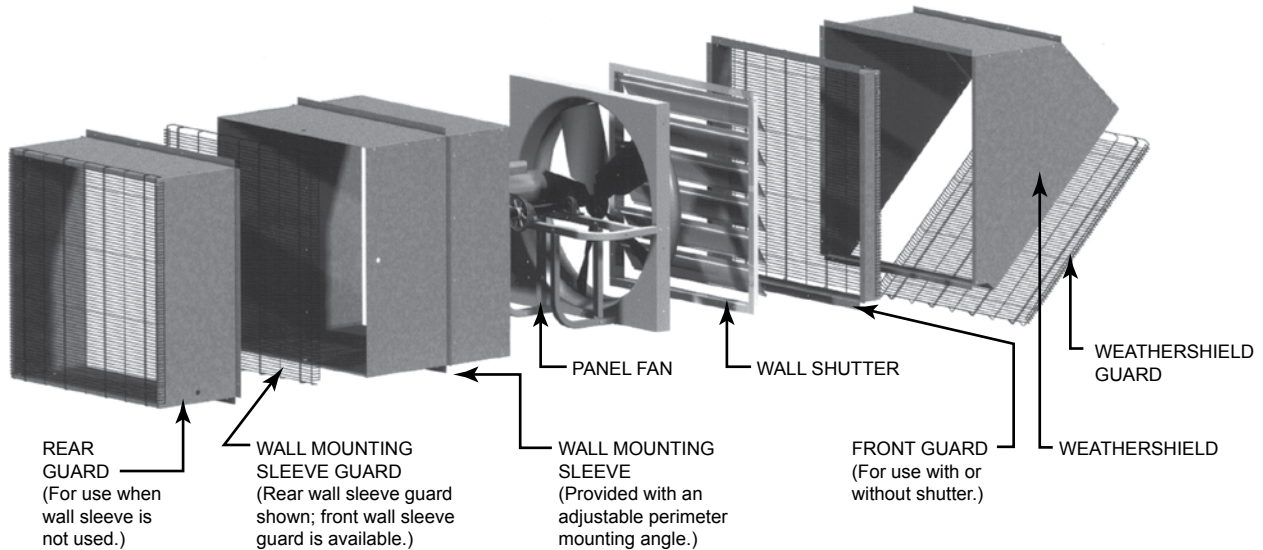
Model: BHH-Series

- Static pressure up to 1 in. wg.
- Flow capacity up to 58,400 CFM
- Exhaust or supply in heavy-duty applications
- High-efficiency fabricated steel propeller, a robust galvanized power assembly that can handle high horsepower motors, and a fully developed venturi integrally spun into a galvanized panel
- Available in sizes 24" to 60"

Model: BCH-Series

- Static pressure up to 1 in. wg.
- Flow capacity up to 68,000 CFM
- Exhaust or supply in heavy-duty applications
- High-efficiency cast aluminum air foil propeller, a fabricated steel power assembly and a heavy gauge venturi panel
- Available in sizes 24" to 60"

› Accessory Overview



Wall Mounted Propeller Fans

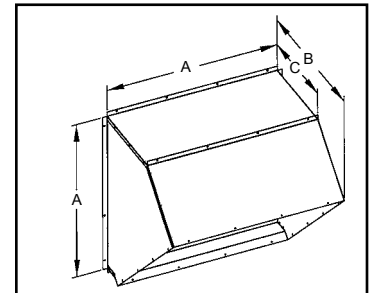
Protection that conforms to OSHA regulations should be installed when fans are located within seven (7) feet of floor and/or working level, or within reach of personnel. Review OSHA codes for specific details.

› Weathershield

Weathershields are designed to divert rain and snow from exhaust and supply wall openings. They are designed to be surface mounted and can be installed in conjunction with wall shutters. Guards are provided. Standard construction is galvanized steel, painted upon request. In order to minimize shipping costs, the weathershield will be shipped knocked down for the BHM and BHH products, unless factory assembly is specified. Other models will be shipped factory assembled.

Use the tables below to help with space planning and sizing guidelines. Please note the maximum recommended intake (supply) CFM. This guideline will keep the intake CFM below 500 FPM. If the intake CFM exceeds the recommended volume, use the next larger fan.

› Weathershield Drawing



› Weathershield Dimensional Data

Size	P-Series						BLL*/BCH*/BC						
	10	12	16	18	20	24	24	30	36	42	48**	54**	60**
Wo	15 ¾	17 ¾	23 ½	25	27 ½	33 ¾	28 ¾	34 ¾	40 ¾	46 ¾	55	61	67
A	15 ¾	17 ¾	23	24 ½	27	32 ¾	28 ¾	34 ¾	40 ¾	46 ¾	54 ¼	60 ¼	66 ¼
B	18 ⅜	19 11/16	23 ¾	24 13/16	26 9/16	30 ½	27 ⅝	31 ¼	36 ⅝	41	45 ⅝	49 ⅝	54 ⅝
C	12 1/8	13 1/8	15 ½	16 ⅞	17 ¼	19 ½	17 ⅝	20 ¼	23 ⅝	25 ⅞	28 ⅝	31	34 ¼
Max. Rec. Supply CFM	10	12	16	18	20	24	24	30	36	42	48	54	60

All dimensions in inches. *Not supply. **BCH only.

Size	BHM/BHH							BX									
	24	30	36	42	48	54*	60*	12Q	14Q	16T	16Q	18T	18Q	20T	20Q	24T	24Q
Wo	32 ¾	38 ¾	44 ¾	50 ¾	57	63	69	15 ¼	17 ¼	19 ¾	19 ¾	21 ¾	21 ¾	23 ¾	23 ¾	27 ¾	27 ¾
A	32 ¼	38 ¼	44 ¼	50 ¼	56 ¼	62 ⅜	68 ⅜	15 ¼	16 ¼	19	19	21	21	23	23	27	27
B	28 ¾	32 ½	36 ¾	41	45 ¼	49 ⅜	53 ⅜	17 ⅞	19	20	20	22 ⅝	22 ⅝	23 ¼	23 ¼	26 ⅞	26 ⅞
C	17 ¼	19 ¾	22 ⅝	24 ¾	27 ¼	29 ⅜	32 ⅞	12 ⅜	12 ¼	13 ⅞	13 ⅞	14 ¼	14 ¼	15 ½	15 ½	17 ¼	17 ¼
Max. Rec. Supply CFM	24	30	36	42	48	54	60	-	-	-	-	-	-	-	-	-	-
	3611	5080	6799	8768	10986	13509	16233	-	-	-	-	-	-	-	-	-	-

All dimensions in inches. *BHH only.

Breezeway

Introduction

Breezeway Wall Mounted Propeller Fans



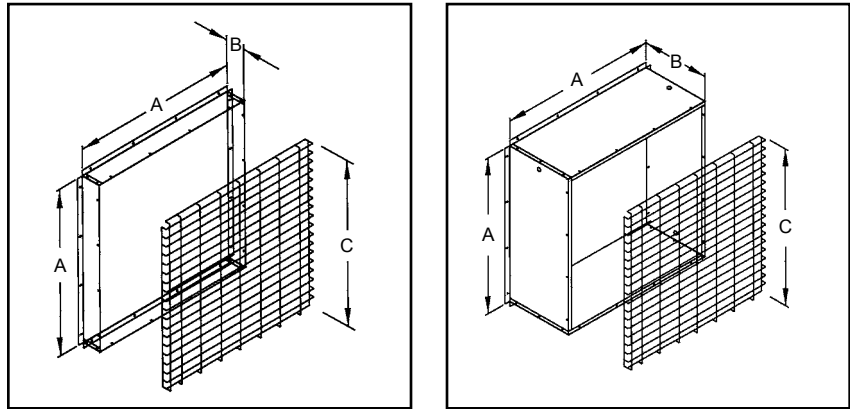
Wall Mounted Propeller Fans

Options & Accessories

Front & Rear Guards

Protection is available for both the rear motor side (rear guard) of the fan and the front face (front guard) of the fan. Both assemblies include a sheet metal sleeve with an attached guard. The rear guard is long enough to enclose the belt and pulleys. The front guard is surface mounted and long enough to enclose a wall shutter, if provided. The guard for either is removable for maintenance. Standard shipment is knocked down for BHM and BHH, or optionally available as factory assembled. Shipment for other models is factory assembled only. The guards on both conform to OSHA specifications.

Front (Left) & Rear (Right) Guard Dimensional Data



Protection that conforms to OSHA regulations should be installed when fans are located within seven (7) feet of floor and/or working level, or within reach of personnel. Review OSHA codes for specific details.

Front & Rear Guard Dimensional Data

Size	P-Series						BLL*/BCH*/BC						
	10	12	16	18	20	24	24	30	36	42**	48**	54**	60**
A	-	-	-	-	-	-	28 3/16	34 3/16	40 3/16	46 3/16	54 1/4	60 1/4	66 1/4
B	-	-	-	-	-	-	13 1/2	16 1/2	16 1/2	20 1/2	25	25	25
C ^{SQ}	15 1/2	17 1/2	23 1/4	24 3/4	27 1/4	33	28 5/8	34 5/8	40 5/8	46 5/8	54 3/4	60 3/4	66 3/4
SCREEN	1 PIECE	1 PIECE	1 PIECE	1 PIECE	1 PIECE	1 PIECE	1 PIECE	1 PIECE	1 PIECE	1 PIECE	1 PIECE	2 PIECES	2 PIECES

All dimensions in inches. *Motor side guard of concentric rings integral to unit. **BCH only

Size	BHM/BHH							BX					
	24	30	36	42	48	54*	60*	12	14	16	18	20	24
A ^{SQ}	32 1/4	38 3/4	44 1/4	50 1/4	56 1/4	62 3/8	68 3/8	14 11/16	16 3/16	18 15/16	21 15/16	22 15/16	26 15/16
B FRONT	5	5	5	5	5	5	5	1 1/2	1 1/2	1 1/2	1 1/2	1 1/2	1 1/2
B REAR	20	20	20	22	22	27	27	12 1/2	12 1/2	12 1/2	12 1/2	12 1/2	13 1/2
C	32 3/8	38 3/8	44 3/8	50 3/8	56 3/8	62 1/2	68 1/2	15 1/8	16 5/8	19 3/8	21 3/8	23 3/8	27 3/8
SCREEN	1 PIECE	1 PIECE	1 PIECE	1 PIECE	1 PIECE	2 PIECES	2 PIECES	1 PIECE	1 PIECE	1 PIECE	1 PIECE	1 PIECE	1 PIECE

All dimensions in inches. *BHH only.

Wall Mounting Sleeve Guards / Weathershield Guards

These guards are supplied with the Weathershield and Wall Sleeve. They are fabricated 11 ga. galvanized wire "cage" suitable for use for OSHA protection. (Note that guard may be attached to either front or rear of wall sleeve.)

Protection that conforms to OSHA regulations should be installed when fans are located within seven (7) feet of floor and/or working level, or within reach of personnel. Review OSHA codes for specific details.

Wall Mounting Sleeve Guard / Weathershield Guard Dimensional Data

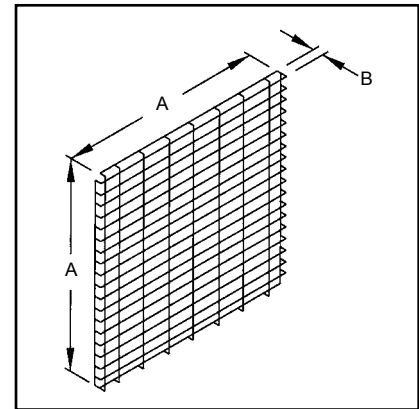
Size	BC/BLL/BCH						
	24	30	36	42*	48*	54*	60*
A ^{SQ}	29	34 5/8	40 5/8	46 5/8	54 1/4	60 1/4	66 1/4
B	1 1/2	1 1/2	1 1/2	1 1/2	1 1/2	1 1/2	1 1/2
SCREEN	1 PIECE	1 PIECE	1 PIECE	1 PIECE	1 PIECE	2 PIECES	2 PIECES

All dimensions in inches. *BCH only.

Size	BHM/BHH						
	24	30	36	42	48	54*	60*
A ^{SQ}	32 3/8	38 3/8	44 3/8	50 3/8	56 3/8	62 1/2	68 1/2
B	1 1/2	1 1/2	1 1/2	1 1/2	1 1/2	1 1/2	1 1/2
SCREEN	1 PIECE	1 PIECE	1 PIECE	1 PIECE	1 PIECE	2 PIECES	2 PIECES

All dimensions in inches. *BHH only.

Guard Dimensional Data



B
r
e
e
z
e
w
a
y

©PENN BARRY 2008

› Wall Shutters

Type WSR recessed gravity shutters, the most popular form of backdraft protection, open when the fan starts and automatically close shut when the fan stops. These shutters are used for exhaust only and are enclosed within a heavy, steel frame that protects the roll-formed steel blades. Each blade pivots freely on nylon bearings. Blades are interconnected with one or more tie-rods for simultaneous operation. Consult factory for surface mount shutters, if required.

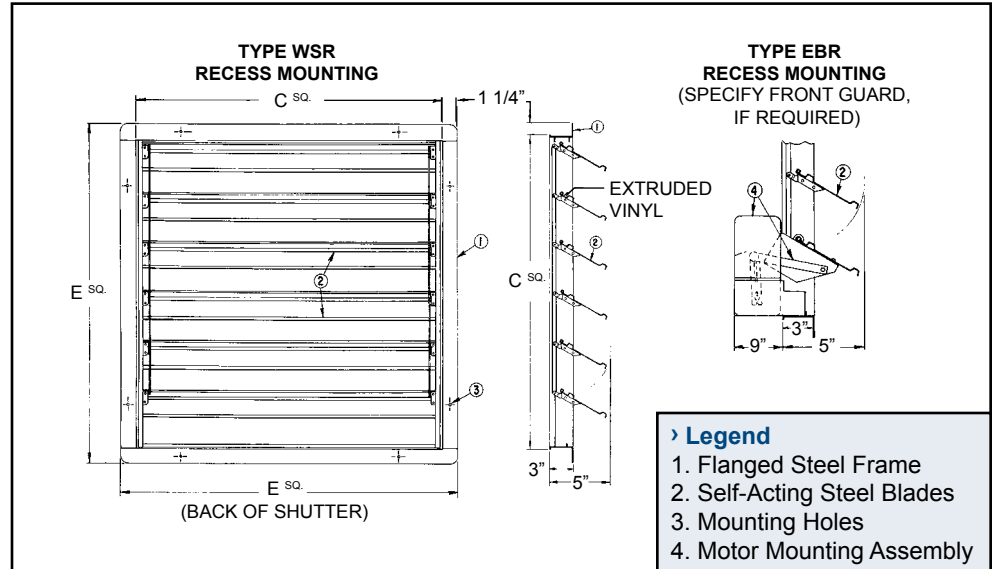
Type EBR is the motorized version of the gravity WSR. It includes all of the WSR features plus an enclosed actuator motor for positive opening and closing of the shutter.

The motor is field wired in parallel with the fan. Allow a minimum 7" between the fan and the shutter when motorized. Larger actuators will be provided with a transformer for 460V.

Shutters required for supply applications are provided as motorized center-pivot type (not illustrated.) If standard top-pivot shutter is used for supply applications, a field supplied time delay relay is strongly recommended.

Caution: When a Breezeway fan is selected for a supply application, fan velocities greater than 500 FPM can pull water into the structure. We suggest that a PennBarry Weathershield be selected in supply applications to help prevent water penetration when high velocity conditions cannot be avoided.

› Wall Shutter Dimensional Data



› Wall Shutter Dimensional Data

Size	P-Series							BLL/BCH/BC					
	10	12	16	18	20	24	24	30	36	42*	48*	54*	60*
E ^{sq.}	17 1/2	19 1/2	25 1/4	26 3/4	29 1/4	34 3/4	30 1/2	36 1/2	42 1/2	48 1/2	56 1/2	62 1/2	68 1/2
C ^{sq.}	15	17	22 3/4	24 1/4	26 3/4	32 1/4	28	34	40	46	54	60	66
No. Panels	1	1	1	1	1	1	1	1	2	2	2	2	2

All dimensions in inches. *BCH only.

Size	BHM/BHH							BX					
	24	30	36	42	48	54*	60*	12	14	16	18	20	24
E ^{sq.}	34 1/2	40 1/2	46 1/2	52 1/2	58 1/2	64 1/2	70 1/2	17 1/2	19 1/2	21 1/2	23 1/2	25 1/4	29 1/4
C ^{sq.}	32	38	44	50	56	62	68	15	17	19	21	22 3/4	26 3/4
No. Panels	1	1	2	2	2	2	2	1	1	1	1	1	1

All dimensions in inches. *BHH only.

› Safety Disconnect Switch

Safety disconnect switches are available to allow positive electrical shut-off and safety. Switches are shipped loose for field mounting. (Factory wiring of explosion proof applications is not available.) A wide range of Nema rated enclosures with disconnect switches are available for indoor, outdoor, and explosion proof installations. Disconnects are to be field wired by a licensed electrician.



› Finishes

Coatings such as Polyester Powder Coat, Epoxy Powder Coat, Phenolic Epoxy Powder Coat, and others are available. See the coatings brochure for details.

Introduction

Breezeway Wall Mounted Propeller Fans



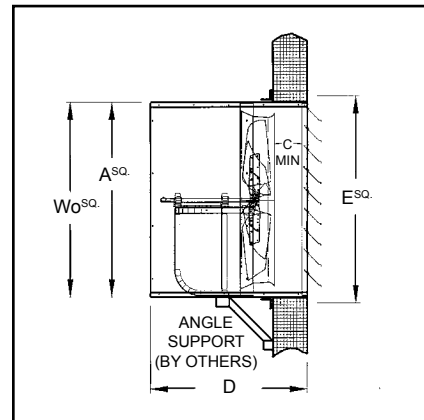
Options & Accessories

Wall Sleeves

Wall Sleeves effectively add depth to the wall where the fan and several of its accessories will be installed. This provides more flexibility and convenience to secure these parts, as well as protection and a neat appearance. Standard construction is galvanized steel. Standard shipment is knocked down for BHM and BHH, or optionally available as factory assembled. Shipment for other models is factory assembled only. A guard is provided for either front or rear installation.

Fan and wall shutter shown for reference only. E dimension includes flange.

Wall Sleeve Dimensional Data



Wall Sleeve Dimensional Data

Size	P-Series						BC/BLL/BCH						
	10	12	16	18	20	24	24	30	36	42*	48*	54*	60*
Wo ^{SQ}	15 3/4	17 3/4	23 1/2	25	27 1/2	33	28 3/4	34 3/4	40 3/4	46 3/4	55	61	67
A ^{SQ}	15 3/4	17 3/4	23	24 1/2	27	32 1/2	28 3/4	34 3/4	40 3/4	46 3/4	54 3/4	60 3/4	66 3/4
C ^{MIN}	4	4	4	4	5	5	6	6	6	6	7	7 1/2	7 1/2
D	18 3/4	18 3/4	22 3/4	23	24 3/4	30 3/4	30 3/4	35	38	44	47 1/2	48	48
E ^{SQ}	17 1/2	19 1/2	25 1/4	26 3/4	29 1/4	34 3/4	30 1/2	36 1/2	42 1/2	48 1/2	56 1/2	62 1/2	68 1/2

*All dimensions in inches. *BCH only.*

Size	BHM/BHH						BX						
	24	30	36	42	48	54*	60*	12	14	16	18	20	24
Wo ^{SQ}	32 3/4	38 3/4	44 3/4	50 3/4	57	63	69	15 1/4	17 1/4	19 3/4	21 3/4	23 3/4	27 3/4
A ^{SQ}	32 3/4	38 3/4	44 1/4	50 1/4	56 1/4	62 3/8	68 3/8	14 3/4	16 3/4	19 1/4	21 1/4	23 1/4	27 1/4
C ^{MIN}	6	6	6	6	7	7	7	4	4	4	4	4	4
D	36	39	41	41	41	48	48	23 1/2	23 1/2	24	24 1/4	25	25
E ^{SQ}	34 1/2	40 1/2	46 1/2	52 1/2	58 1/2	64 1/2	70 1/2	17 1/2	19 1/2	21 1/2	23 1/2	25 1/4	29 1/4

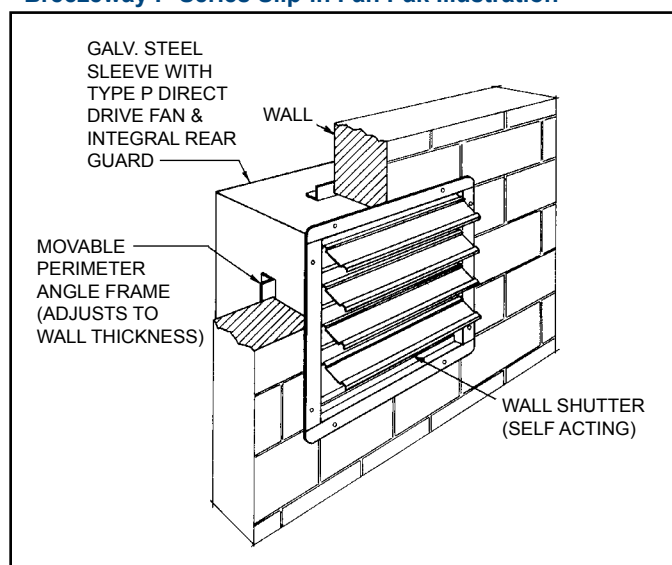
*All dimensions in inches. *BHH only.*

Breezeway P-Series Slip-in Fan Pak

Provides a ventilation package in one convenient and compact assembly. The Fan Pak incorporates the Breezeway Type P direct drive fans with their integral back guards installed in a galvanized steel sleeve with a self-acting shutter on the exterior face. (A motorized shutter can be substituted for the standard shutter when desired.)

A moveable angle frame is positioned on the perimeter of the sleeve. This adjusts to the wall thickness. When properly fastened it secures the assembly in the wall opening. Anchor bolts, lag screws or other appropriate fasteners should be used to fasten the unit to the inside and outside face of the wall or mounting frame.

Breezeway P-Series Slip-in Fan Pak Illustration



©PENN BARRY 2008

Wall Mounted Propeller Fans

B
r
e
e
z
e
w
a
y

› Nema Motor

This chart lists the NEMA frame sizes for each combination of HP, phase, voltage, enclosure and speed configuration. Verify the NEMA frame size for the desired motor and compare to the maximum motor frame size listed on the individual fan data page in this brochure.

› Nema Motor Frame Size

HP	Single Phase					220V, 230V, 460V, or 575V - Three Phase			
	ODP		TE	EXP	2S2W	ODP	TE	EXP	2S2W
	115V	230V	115/230						
1/4	48	58	58	48/56	48	48	48	48	-
1/3	48/56	48/56	56	56	56	56	56	56	-
1/2	48/56	48/56	56	56	56	56	56	56	56
3/4	56	56	56	56	56	56	56	56	56
1	56	56	56	56	56	56	56	56	145T
1 1/2	56	56	145T	184T	-	56	56	56	182T
2	145T	145T	182T	182T	-	56/145T	145T	145T	182T
3	184T	184T	184T	215T	-	145T	182T	182T	184T
5	-	-	-	-	-	184T	184T	184T	215T
7 1/2	-	-	-	-	-	213T	213T	213T	215T
10	-	-	-	-	-	215T	215T	215T	256T
15	-	-	-	-	-	254T	254T	254T	284T
20	-	-	-	-	-	256T	256T	256T	284T

On horsepower less than 1 1/2, motor frame sizes may change due to variations in voltage, special features and motor manufacturer. Motors shown are ball bearing, continuous duty and 1750 RPM or 1750/1140 RPM for two speed - two winding motors.

› Direct Drive Motor Availability

The following chart lists the various motor options available for each of the direct drive fan models. Once a fan model is selected, this chart can be used to determine if a suitable motor is available. (If not, another selection may have to be made from the fan performance charts). Look under the nominal RPM heading to determine which fans have 2-speed and 3-speed motors.

› Breezeway BC Direct Drive Motor Availability

Model	Nominal HP	RPM				Single Phase			Three Phase				
		690 M	860 W	1140 T	1725 Q	OPEN 115/230V	TE	EXP	OPEN	TE	EXP	2S1W	2S2W
BC24W1	1/6	-	X	-	-	YES	YES	-	YES	-	-	-	-
BC24W2	1/3	-	X	-	-	YES	-	-	YES	YES	-	-	-
BC24T1	1/2	-	-	X	-	YES	YES	YES	YES	YES	YES	-	-
BC24T2	1	-	-	X	-	YES	YES	YES	YES	YES	YES	YES	YES
BC24Q	1 1/2	-	-	-	X	YES	YES	YES	YES	YES	YES	YES	YES
BC30W1	1/3	-	X	-	-	YES	-	-	YES	YES	-	-	-
BC30W2	1/2	-	X	-	-	YES	-	-	YES	YES	-	-	-
BC30W3	3/4	-	X	-	-	-	-	-	YES	YES	-	-	-
BC30T1	1	-	-	X	-	YES	YES	YES	YES	YES	YES	YES	YES
BC30T2	1 1/2	-	-	X	-	YES	YES	YES	YES	YES	YES	YES	YES
BC30Q1	3	-	-	-	X	YES	YES	YES	YES	YES	YES	YES	YES
BC30Q2	5	-	-	-	X	-	YES	YES	YES	YES	YES	YES	YES
BC36W1	1	-	X	-	-	-	-	-	YES	YES	-	-	-
BC36W2	1 1/2	-	X	-	-	-	-	-	YES	YES	-	-	-
BC36T1	3	-	-	X	-	YES	YES	-	YES	YES	YES	YES	YES
BC36Q	7 1/2	-	-	-	X	-	YES	-	YES	YES	YES	YES	YES
BC42W1	2	-	X	-	-	-	-	-	YES	YES	-	-	-
BC42W2	5	-	X	-	-	-	-	-	YES	YES	YES	-	-
BC42T	5	-	-	X	-	-	YES	-	YES	YES	-	YES	YES
BC48W1	3	-	X	-	-	-	-	-	YES	YES	YES	-	-
BC48W2	5	-	X	-	-	-	-	-	YES	YES	-	-	-
BC48W3	7 1/2	-	X	-	-	-	-	-	YES	YES	-	-	-
BC48T1	7 1/2	-	-	X	-	-	-	-	YES	YES	-	YES	YES
BC48T2	10	-	-	X	-	-	-	-	YES	YES	YES	YES	YES
BC54M	5	X	-	-	-	-	-	-	YES	YES	YES	-	-
BC54W	10	-	X	-	-	-	-	-	YES	YES	-	-	-

Wall Mounted Propeller Fans

Breezeway

Introduction

Breezeway Wall Mounted Propeller Fans



Motor Availability

Wall Mounted Propeller Fans

› Breezex (BX) Direct Drive Motor Availability

Model	Nominal HP	RPM		Single Phase		230/460 ODP - Three Phase	
		1140	1725	TE (A) 115V Only	EXP 115/230V	TE (A)	EXP
BX12Q	1/6	-	X	YES	YES	YES	-
BX14Q	1/6	-	X	YES	YES	YES	-
BX16T	1/6	X	-	YES	YES (B)	YES	-
BX16Q	1/3	-	X	YES	YES	YES	YES
BX18T	1/4	X	-	YES	YES	YES	-
BX18Q	1/3	-	X	YES	YES	YES	YES
BX20T	1/4	X	-	YES	YES	YES	-
BX20Q	1/3	-	X	YES	YES	YES	YES
BX24T	1/3	X	-	YES	YES (C)	YES	YES
BX24Q	1/2	-	X	YES	YES	YES	YES

(A) Use TE for ODP applications. (B) Uses 1/4 HP. (C) Uses 1/2 HP.

› Variable Speed Motor Control

PennBarry Lek-Trol™ solid state controllers are an economical way to reduce the high speed of selected P-Series motors by as much as 50%. Check the Lek-Trol™ availability table on the following page to verify suitability for the fan model selected.

Motors suitable for use with field supplied Frequency Inverters can be supplied for BLL, BHM, BHH, BC and BCH models. Contact your PennBarry representative.

› P-Series Direct Drive Available Lek-Trol Speed Controls

Model	Nominal HP	RPM				Single Phase					
		1050	1300	1550	1650	115/1/60 ODP		230/1/60 ODP		TE 115/200/240/1	
						Avail.	Lek-Trol	Avail.	Lek-Trol	Avail.	Lek-Trol
P10VA	1/30	X	-	-	-	YES	LT30	-	-	-	-
P10RA	1/12	-	-	X	-	YES	LT30	USE TE	LT35	YES (2)	LT30/35*
P12VA	1/12	X	-	-	-	YES	LT30	-	-	-	-
P12RA	1/4	-	-	X	-	YES	LT50	USE TE	LT35	YES (2)	LT30/35*
P16VA	1/3	X	-	-	-	YES	-	-	-	-	-
P16SA	1/2	-	X	-	-	YES	LT50	-	-	-	-
P16RA	1/2	-	-	X	-	YES	LT40	USE TE	-	YES (2)	-
P16Q1A	3/4	-	-	-	X	YES	LT60	USE TE	-	YES (2)	-
P18VA	1/2	X	-	-	-	YES	-	-	-	-	-
P18RA	3/4	-	-	X	-	YES	-	-	-	-	-
P20TA	3/4	X (1)	-	-	-	USE TE	-	USE TE	-	YES (2)	-
P20SA	1	-	X	-	-	YES	-	YES	-	-	-
P24VA	3/4	X	-	-	-	USE TE	-	USE TE	-	YES (2)	-

(1) Nominal 1140 RPM. (2) 50/60 Hz. *LT30 for 115V, LT35 for 200/240V.

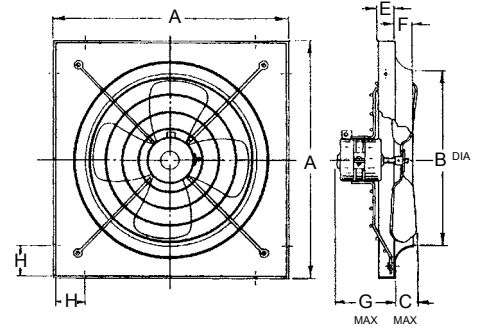
B
r
e
e
z
e
w
a
y

©PENNBARRY 2008

› P-Series Direct Drive Fan Dimensional Data

MODEL	A	B DIA.	C MAX.	E	F	G MAX.	H	WALL OPENING Wo	EST. SHIP WT. (LBS.)	PANEL GAUGE
P10	15	10 3/4	2 1/2	1	1 1/4	6 1/2	3/4	15 3/4	12	18
P12	17	12 1/4	3 1/4	1	1	7 1/2	1 7/8	17 3/4	14	18
P16	22 3/4	16 3/4	3 3/4	1	2 1/4	11 1/4	2 7/8	23 3/4	30	18
P18	24 1/4	18 3/4	3 3/4	1	2	9 1/8	3 5/8	25	40	18
P20	26 3/4	20 7/8	3 3/4	1	1 3/4	12 1/2	3 1/4	27 1/2	50	18
P24	32 1/4	25	4 1/4	2	2 3/8	12 7/8	4 11/16	33	76	18

All wire frames are 11 gauge. All dimensions are in inches.



Wall Mounted Propeller Fans

› P-Series Direct Drive Fan Performance Data

Model	HP	Max Watts	RPM	Tip Speed FPM	0.000" SP		0.125" SP		0.250" SP		0.375" SP		0.500" SP		0.625" SP		0.750" SP		0.875" SP		1.250" SP		1.250" SP	
					CFM	Sones	CFM	Sones	CFM	Sones	CFM	Sones	CFM	Sones	CFM	Sones	CFM	Sones	CFM	Sones	CFM	Sones	CFM	Sones
P10VA	1/30	80	1050	2749	753	4.6	531	7.5	457	7.9	385	7.2	239	6.7	-	-	-	-	-	-	-	-	-	-
P10RA	1/12	115	1550	4058	841	5.8	699	6.5	631	7.3	570	8.5	486	10.8	425	12.5	387	12.9	321	13.2	-	-	-	-
P12VA	1/12	204	1050	3299	1354	10.7	1176	9.5	1090	9.9	959	10.5	755	11.1	615	10.1	240	10.0	-	-	-	-	-	-
P12RA	1/4	174	1550	4869	1489	10.3	1367	9.8	1326	10.1	1281	10.5	1160	11.7	1046	13.2	882	15.5	798	16.9	568	19.6	210	20
P16VA	1/3	463	1050	4398	2546	9.1	2088	8.8	1859	8.7	1699	8.6	1257	8.3	-	-	-	-	-	-	-	-	-	-
P16SA	1/2	550	1300	5445	3143	13.7	2933	14	2856	14.1	2758	14.3	2495	14.6	2244	15.0	1982	15.3	1671	15.4	-	-	-	-
P16RA	1/2	724	1550	6492	3555	14	3301	14.1	3256	14.1	3211	14.2	3102	14.5	2955	15.3	2736	16.9	2514	18.3	1979	20	1772	21
P16Q1A	3/4	962	1650	6911	3760	16.3	3557	16.6	3508	16.7	3459	16.7	3358	16.9	3256	17.1	3123	17.6	2864	18.9	2369	22	2032	24
P18VA	1/2	522	1050	4948	4210	15.2	3845	15.1	3768	15.1	3661	15.1	3370	15.3	3030	15.1	2719	13.6	2215	13.1	-	-	-	-
P18RA	3/4	1265	1550	7304	5233	20	4971	21	4971	21	4919	21	4787	22	4633	23	4383	25	4029	28	3547	35	3083	34
P20TA	3/4	815	1140	5969	4852	16.2	4449	16.4	4318	16.5	4185	16.7	3898	17.1	3570	17.7	3278	18.4	2717	20	1969	24	1200	25
P20SA	1	1415	1300	6807	6063	22	5786	22	5692	21	5597	21	5397	21	5149	21	4835	21	4466	21	3909	22	3121	23
P24VA	3/4	1117	1050	6597	6562	14.6	6210	14.6	6136	14.7	6063	14.7	5917	14.7	5758	14.9	5576	15.2	5249	15.8	4065	19.3	3654	21

Performance shown is for installation Type A: Free Inlet, Free Outlet. Speed (RPM) shown is nominal. Performance is based on actual speed of test. The sound ratings shown are for loudness values in fan zones at 5'0" (1.5m) in a hemispherical free field per AMCA Standard 301. Values shown are for Installation Type A: free inlet fan zone levels. Performance ratings include the effect of backguard in the airstream. For models shown on this page, the AMCA Certified Ratings Seal applies to air and sound.

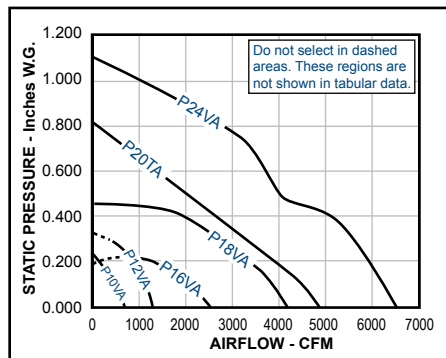
› P-Series Direct Drive Fan Curves

The fan curves illustrated here show the range of capacities available for P-Series direct drive units. Each graph shows the performance of several models at one particular nominal speed. Fan curves provide a quick method for selecting a fan unit based on design point requirements.

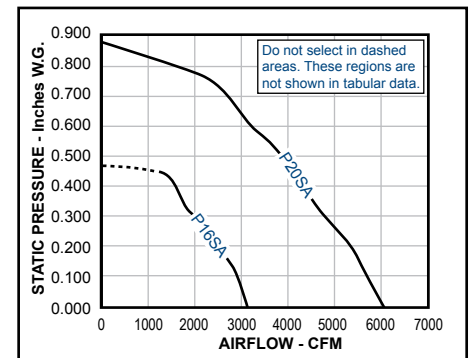
The direct drive performance charts provide the tabular data (CFM and static pressure) used to plot the fan curves. In addition, horsepower, tip speed and sones are tabulated. Since sound is normally an important factor in the selection of a fan, an engineer will usually want to select the "slowest" unit which meets CFM and SP requirements. Please refer to the Motor Selection section to make sure the motor you select meets your electrical requirements.

Note: Breezeway fans are only one component of a total system. As such, fan performance is directly affected by the system. It is critical that system designers determine the actual system loss to ensure that the actual flow is specified in the system design.

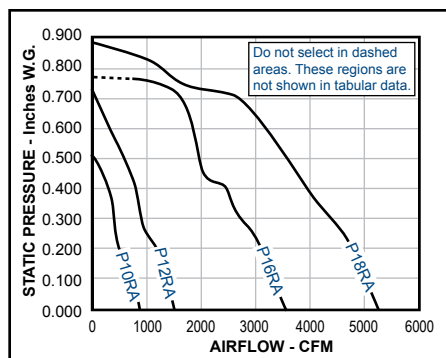
› P-Series Fan Curve 1050/1140 RPM



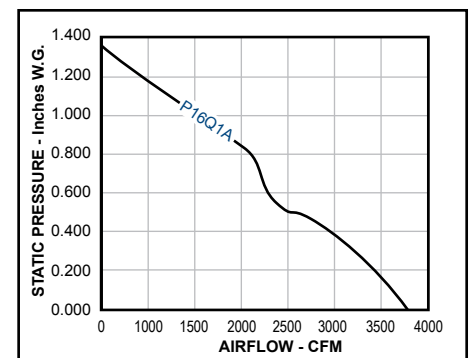
› P-Series Fan Curve 1300 RPM



› P-Series Fan Curve 1550 RPM



› P-Series Fan Curve 1650 RPM



Breezeway

Dimensional Information & Performance Data

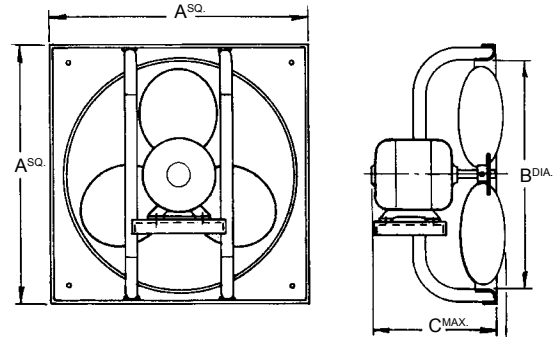
Breezeway Wall Mounted Propeller Fans | Direct Drive



Breezex BX

› Breezex BX Direct Drive Fan Dimensional Data

Model	A Sq.	B Dia.	C Max.	Wall Opening Wo	Est. Ship Wt. (LBS.)	Panel Gauge	Motor Plate Gauge
BX12Q	14 1/2	12 3/4	12	15 1/4	24	16	10
BX14Q	16 1/2	14 3/4	12	17 1/4	25	16	10
BX16T	19	16 3/4	12 1/2	19 3/4	29	16	10
BX16Q	19	16 3/4	12 1/2	19 3/4	29	16	10
BX18T	21	18 3/4	12 1/2	21 3/4	33	16	10
BX18Q	21	18 3/4	12 3/4	21 3/4	33	16	10
BX20T	23	20 3/4	13 1/2	23 3/4	35	16	10
BX20Q	23	20 3/4	12 1/2	23 3/4	35	16	10
BX24T	27	24 3/4	13 1/2	27 3/4	43	16	10
BX24Q	27	24 3/4	13 1/8	27 3/4	43	16	10



All dimensions are in inches.

› Breezex BX (Supply) Direct Drive Fan Performance Data

Model	HP	Fan Dia.	RPM	Tip Speed FPM	0.000" SP	0.125" SP	0.250" SP	0.375" SP	Sones @ .125"
					CFM	CFM	CFM	CFM	
BX12Q	1/6	12"	1725	5423	1400	1260	1050	805	4.0
BX14Q	1/6	14"	1725	6327	2000	1780	1580	1150	11.0
BX16T	1/6	16"	1140	4779	2255	1885	1390	650	7.2
BX16Q	1/3	16"	1725	7231	3035	2760	2550	2250	13.0
BX18T	1/4	18"	1140	5376	3100	2670	2100	820	8.2
BX18Q	1/3	18"	1725	8135	3500	3040	2275	1400	12.8
BX20T	1/4	20"	1140	5974	3800	3160	2590	2240	9.3
BX20Q	1/3	20"	1725	9039	3750	3440	3200	2560	14.0
BX24T	1/3	24"	1140	7168	4720	4540	3855	3000	14.8
BX24Q	1/2	24"	1725	10847	4650	4400	3800	3480	20.0

› Breezex BX (Exhaust) Direct Drive Fan Performance Data

Model	HP	Fan Dia.	RPM	Tip Speed FPM	0.000" SP	0.125" SP	0.250" SP	0.375" SP	Sones @ .125"
					CFM	CFM	CFM	CFM	
BX12Q	1/6	12"	1725	5423	1125	815	675	530	4.0
BX14Q	1/6	14"	1725	6327	1565	1395	1205	920	11.0
BX16T	1/6	16"	1140	4779	1995	1520	1000	600	7.2
BX16Q	1/3	16"	1725	7231	2530	2345	1835	1430	13.0
BX18T	1/4	18"	1140	5376	2365	2040	1605	625	8.2
BX18Q	1/3	18"	1725	8135	3000	2480	1980	1285	12.8
BX20T	1/4	20"	1140	5974	2705	2265	2130	1835	9.3
BX20Q	1/3	20"	1725	9039	3070	2835	2540	2245	14.0
BX24T	1/3	24"	1140	7168	3610	3475	2945	2295	14.8
BX24Q	1/2	24"	1725	10847	3555	3365	2905	2660	20.0

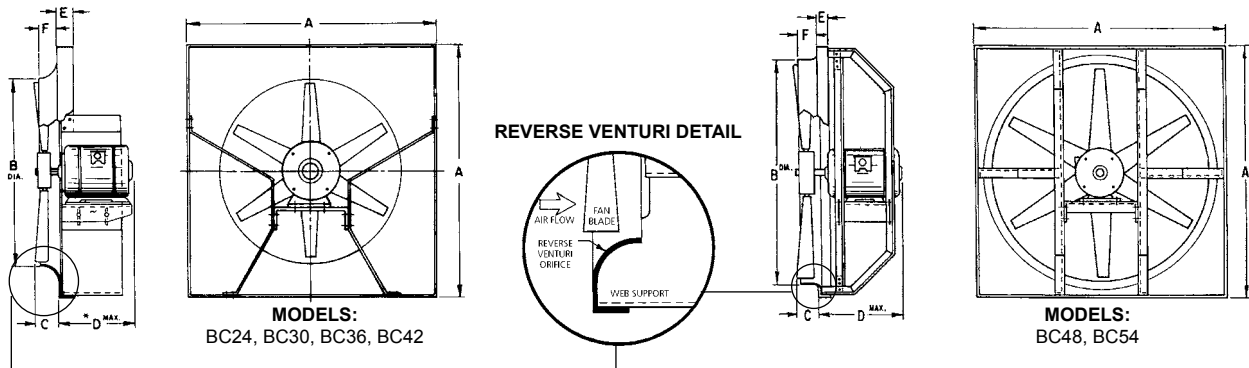
Performance shown is for installation Type A: Free inlet, Free outlet. Performance ratings do not include the effects of appurtenances in the airstream. The sone ratings shown are loudness values in fan sones at 5'0" (1.5m) in a hemispherical free field calculated per AMCA standard 301. Values shown are for installation Type A: Free inlet fan sone levels.

Wall Mounted Propeller Fans

B
r
e
e
z
e
w
a
y

©PENN BARRY 2008

› Breezeway BC Direct Drive Fan Dimensional Data



Model	A Sq.	B Dia.	C Max.	E	F	D Max.	Wall Opening Wo	Est. Ship Wt. (LBS.)	Panel Gauge	Web Gauge
BC24	28	25	4 1/2	3 1/8	3	15	28 3/4	80	16	12
BC30	34	31	4 1/2	2 5/8	3	16	34 3/4	100	16	12
BC36	40	37	5	3	4 3/4	16	40 3/4	180	14	10
BC42	46	43	5	3 13/16	3 1/2	18	46 3/4	260	14	10
BC48	54	49	5	2 3/4	3 1/2	23	54 3/4	310	14	10
BC54	60	55	5	3	5	24	60 3/4	340	14	10

All dimensions are in inches.

› Breezeway BC Direct Drive Fan Performance Data

Model	HP	Max Watts	RPM	Tip Speed FPM	0.125" SP		0.250" SP		0.375" SP		0.500" SP		0.750" SP		Sones @ .125"
					CFM	Sones	CFM	Sones	CFM	Sones	CFM	Sones	CFM	Sones	
BC24W1	1/2	24"	860	5404	3153	0.15	1988	0.16	1097	0.18	-	-	-	-	13.1
BC24W2	1/2	24"	860	5404	4444	0.40	2306	0.40	-	-	-	-	-	-	13.9
BC24T1	1/3	24"	1140	7163	4718	0.33	3957	36.00	3054	0.36	2273	0.38	-	-	18.9
BC24T2	1	24"	1140	7163	7025	0.95	5500	0.94	3800	0.94	2310	0.93	-	-	20.0
BC24Q	1 1/2	24"	1750	10996	7725	1.15	7380	1.19	6995	1.25	6500	1.28	5445	1.31	33.0
BC30W1	1/3	30"	860	6754	5641	0.29	3660	0.31	-	-	-	-	-	-	14.4
BC30W2	1/2	30"	860	6754	7624	0.41	6372	0.44	4084	0.43	1661	0.42	-	-	15.9
BC30W3	3/4	30"	860	6754	9034	0.64	7897	0.66	6430	0.67	3238	0.67	-	-	16.8
BC30T1	1	30"	1140	8954	10717	0.90	9884	0.97	8969	1.01	7767	1.04	3775	0.97	23.0
BC30T2	1 1/2	30"	1140	8954	12606	1.48	11771	1.50	10922	1.52	10022	1.54	7017	1.51	24.0
BC30Q1	3	30"	1750	13744	13643	2.28	12782	2.34	12157	2.39	11581	2.47	10164	2.59	36.0
BC30Q2	5	30"	1750	13744	17110	3.04	16625	3.19	16140	3.34	15600	3.45	14405	3.58	40.0
BC36W1	1	36"	860	8105	11099	0.88	9337	0.92	5963	0.95	2525	1.09	-	-	19.0
BC36W2	1 1/2	36"	860	8105	13248	1.25	11249	1.34	6912	1.28	-	-	-	-	21.0
BC36T1	3	36"	1140	10744	18526	2.85	17232	2.94	15820	3.06	13680	3.12	6422	2.99	31.0
BC36Q	7 1/2	36"	1750	16496	25430	7.13	24372	7.21	23476	7.30	22719	7.40	21040	7.58	48.0
BC42W1	2	42"	860	9456	20033	1.94	18114	2.01	16008	2.06	12931	2.14	-	-	24.0
BC42W2	5	42"	860	9456	23083	3.58	21837	3.70	20394	3.75	18525	3.76	13396	3.75	30.0
BC42T	5	42"	1140	12535	27644	4.38	26201	4.56	24750	4.67	23297	4.70	19880	4.87	35.0
BC48W1	3	48"	860	10807	25547	2.74	23003	2.85	20415	2.89	17287	2.90	8499	2.88	31.0
BC48W2	5	48"	860	10807	30186	3.98	27927	4.08	25555	4.17	22891	4.26	10571	4.47	34.0
BC48W3	7 1/2	48"	860	10807	33416	5.63	31631	5.73	29705	5.83	27640	5.90	22719	5.80	38.0
BC48T1	7 1/2	48"	1140	14326	35342	6.23	33384	6.44	31458	6.59	29638	6.67	25448	6.75	45.0
BC48T2	10	48"	1140	14326	41224	9.18	39622	9.31	37948	9.43	36214	9.56	32477	9.79	48.0
BC54M	5	54"	690	9755	34071	3.99	31816	4.04	29388	4.06	25491	4.12	12345	3.59	30.0
BC54W	10	54"	860	12158	43437	7.68	41645	7.76	39842	7.81	38091	7.83	32441	7.99	41.0

Performance shown is for installation Type A: Free inlet, Free outlet. Performance ratings do not include the effects of appurtenances in the airstream. The sone ratings shown are loudness values in fan sones at 5'0" (1.5m) in a hemispherical free field calculated per AMCA standard 301. Values shown are for installation Type A: Free inlet fan sone levels.

Performance Data

Breezeway Wall Mounted Propeller Fans | Belt Drive



Wall Mounted Propeller Fans

Belt Drive Performance Data

› Performance Data

The belt drive models shown on the following pages have sizes and capacities ranging from below 300 CFM to above 46,000 CFM, with static pressures from 0" to above 1". All models are available with a wide range of horsepower sizes and RPM's. Two-speed motors are commonly used to enhance this flexibility.

The data provided for each belt drive model includes:

- Elevation Drawing Showing Overall Dimensions
- Fan Curve Graph
- Performance Chart

Each curve graphically displays the range of capacities available for each model, in most cases beyond the specifics shown in the tabular data. The maximum performance afforded by each horsepower is indicated by dashed lines and the RPM is indicated by solid lines.

Some models have graphs that show both shaded and unshaded areas. Selection should be made from the unshaded area only.

The highest RPM shown for a specific horsepower in the tabular data is the maximum speed that for any point along the performance curve, the BHP will not exceed the available horsepower.

It is important to note that while it is common industry-wide practice to exceed a "nominal" horsepower by using a motor's service factor, PennBarry uses a conservative portion of the service factor, allowing half to remain a true "safety" factor.

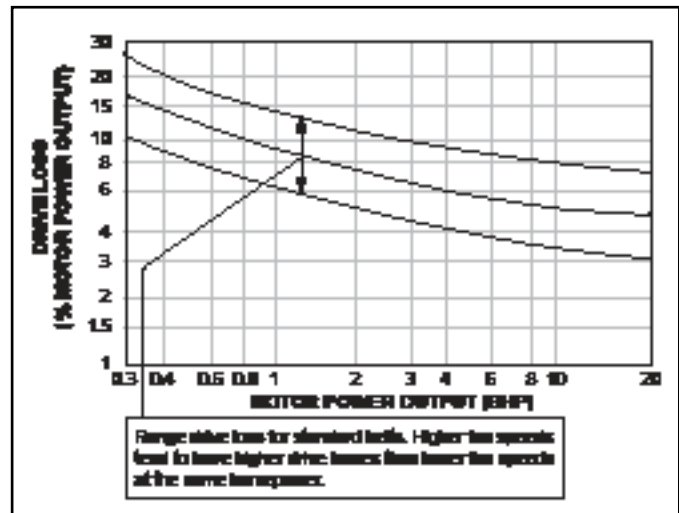
Use the Motor Availability chart (see Motor Selection) to select motor enclosures and voltages which can be installed in the fans.

Note: Breezeway fans are only one component of a total system. As such, performance is directly affected by the system. It is critical that system designers determine actual system losses to ensure that the actual flow is specified in the system range.

› Belt Drive Losses

The AMCA Review Committee has developed the chart shown below for the purpose of estimating belt drive losses. To calculate total BHP (including drive losses): Find the BHP of your operating point on the x-axis on the graph below. Follow the vertical line to the curves indicating the range of drive losses. Look at the y-axis on the left and find the drive loss percentage. Calculate the total BHP by adding the drive loss to the operating point BHP. For BHP's below 0.3, use 30%.

› Drive Loss Reference Chart

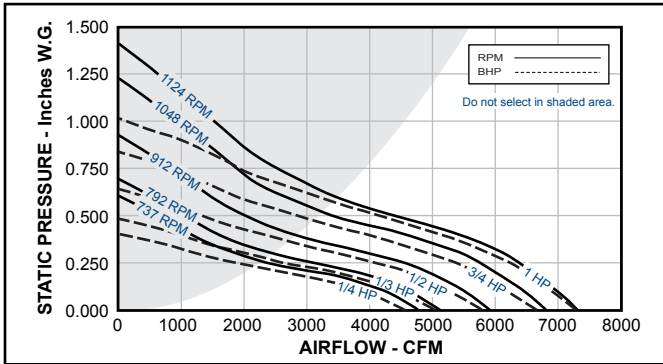


! For totally enclosed, explosion proof, multi-speed and all 1.0 Service Factor motors, fan BHP plus drive losses should not exceed motor rated HP.

Graph reprinted from AMCA publication 203, with the express written permission from the Air Movement and Control Association, Inc., 30 West University Drive, Arlington Heights, IL 60004-1983.

B
r
e
e
z
e
w
a
y

› BLL24 Belt Drive Fan Curves



› BLL24 Belt Drive Fan Dimensional Data

- Carbon Steel Panel = 16 Gage
- Galv. Steel Web = 12 Gage
- Wall Opening = 28 1/4" SQ.
- Wall Shutter ID = 28" SQ.
- Max. Motor Frame Size = 56
- Peak BHP = $(\text{RPM}/941)^3$
- Max. RPM = 1124 (1 HP)
- Est. Ship Weight = 95 lbs.

› BLL24 Belt Drive Fan Performance Data

HP	RPM	Tip Speed FPM	0.000" SP		0.100" SP		0.125" SP		0.150" SP		0.200" SP		0.250" SP		0.300" SP		0.375" SP		0.500" SP	
			Sones	BHP	Sones	BHP	Sones	BHP	Sones	BHP	Sones	BHP	Sones	BHP	Sones	BHP	Sones	BHP	Sones	BHP
1/4	470	2953	3043	-	1541	-	-	-	-	-	-	-	-	-	-	-	-	-	-	-
			6.3	0.07	6.3	0.08	-	-	-	-	-	-	-	-	-	-	-	-	-	-
	530	3330	3431	-	2313	-	1786	-	-	-	-	-	-	-	-	-	-	-	-	-
			7.8	0.11	7.5	0.11	7.7	0.11	-	-	-	-	-	-	-	-	-	-	-	-
	570	3581	3690	-	2762	-	2312	-	1814	-	-	-	-	-	-	-	-	-	-	-
			8.9	0.13	8.7	0.14	8.7	0.14	8.9	0.14	-	-	-	-	-	-	-	-	-	-
	630	3958	4078	-	3345	-	3009	-	2601	-	-	-	-	-	-	-	-	-	-	-
		10.7	0.18	10.7	0.19	10.7	0.19	10.7	0.19	-	-	-	-	-	-	-	-	-	-	
1/2	690	4335	4467	-	3837	-	3620	-	3295	-	2527	-	-	-	-	-	-	-	-	-
			14.0	0.23	13.4	0.24	13.3	0.25	13.2	0.25	13.5	0.25	-	-	-	-	-	-	-	-
	720	4524	4661	-	4078	-	3870	-	3618	-	2912	-	-	-	-	-	-	-	-	-
			14.9	0.26	14.0	0.28	13.9	0.28	13.8	0.28	13.9	0.28	-	-	-	-	-	-	-	-
	737	4631	4771	-	4209	-	4010	-	3798	-	3120	-	2353	-	-	-	-	-	-	-
			15.5	0.28	14.4	0.30	14.3	0.30	14.2	0.30	14.2	0.30	14.7	0.30	-	-	-	-	-	-
1/3	750	4712	4855	-	4307	-	4116	-	3916	-	3277	-	2532	-	-	-	-	-	-	-
			16.0	0.30	14.8	0.31	14.6	0.31	14.6	0.32	14.5	0.32	15.0	0.32	-	-	-	-	-	-
	770	4838	4985	-	4457	-	4278	-	4084	-	3510	-	2806	-	-	-	-	-	-	-
			16.4	0.32	15.3	0.34	15.1	0.34	15.1	0.34	15.0	0.34	15.4	0.34	-	-	-	-	-	-
3/4	792	4976	5127	-	4620	-	4456	-	4266	-	3753	-	3095	-	-	-	-	-	-	-
			16.9	0.35	15.9	0.36	15.7	0.37	15.6	0.37	15.6	0.37	15.9	0.37	-	-	-	-	-	-
	800	5027	5179	-	4678	-	4520	-	4332	-	3840	-	3194	-	2502	-	-	-	-	-
			17.1	0.36	16.1	0.37	15.9	0.38	15.8	0.38	15.8	0.39	16.1	0.38	16.6	0.39	-	-	-	-
	825	5184	5341	-	4855	-	4714	-	4537	-	4110	-	3500	-	2821	-	-	-	-	-
			18.0	0.40	16.9	0.41	16.7	0.41	16.5	0.42	16.5	0.42	16.7	0.42	17.2	0.42	-	-	-	-
	850	5341	5503	-	5031	-	4901	-	4739	-	4375	-	3801	-	3161	-	-	-	-	-
			19.6	0.43	18.3	0.45	17.9	0.45	17.5	0.46	17.3	0.46	17.4	0.46	17.8	0.46	-	-	-	-
	875	5498	5665	-	5206	-	5088	-	4940	-	4598	-	4081	-	3482	-	-	-	-	-
			21.0	0.47	19.5	0.49	19.1	0.49	18.7	0.50	18.1	0.50	17.9	0.51	18.2	0.51	-	-	-	-
1	900	5655	5827	-	5381	-	5270	-	5136	-	4806	-	4354	-	3789	-	2855	-	-	-
			22.0	0.51	20.0	0.53	19.9	0.53	19.6	0.54	19.0	0.54	18.7	0.55	18.8	0.55	19.4	0.55	-	-
	912	5730	5904	-	5465	-	5355	-	5226	-	4906	-	4484	-	3934	-	3010	-	-	-
			22.0	0.53	21.0	0.55	20.0	0.55	20.0	0.56	19.4	0.57	19.1	0.57	19.1	0.57	19.6	0.57	-	-
	920	5781	5956	-	5520	-	5411	-	5286	-	4972	-	4570	-	4031	-	3121	-	-	-
			22.0	0.55	21.0	0.56	21.0	0.57	20.0	0.57	19.7	0.58	19.4	0.59	19.4	0.59	19.7	0.59	-	-
	945	5781	5956	-	5520	-	5411	-	5286	-	4972	-	4570	-	4031	-	3121	-	-	-
			23.0	0.59	22.0	0.61	21.0	0.61	21.0	0.62	21.0	0.63	20.0	0.63	20.0	0.64	20.0	0.63	-	-
1	970	6095	6280	-	5866	-	5763	-	5659	-	5380	-	5071	-	4596	-	3791	-	-	-
			23.0	0.64	22.0	0.66	22.0	0.66	21.0	0.67	21.0	0.68	21.0	0.68	21.0	0.69	21.0	0.68	-	-
	995	6095	6280	-	5866	-	5763	-	5659	-	5380	-	5071	-	4596	-	3791	-	-	-
			23.0	0.69	22.0	0.71	22.0	0.72	22.0	0.72	21.0	0.73	21.0	0.74	21.0	0.74	22.0	0.74	-	-
	1020	6409	6604	-	6210	-	6112	-	6014	-	5781	-	5488	-	5136	-	4403	-	-	-
			24.0	0.75	23.0	0.76	23.0	0.77	22.0	0.77	22.0	0.78	22.0	0.79	22.0	0.80	23.0	0.80	-	-
1	1048	6585	6785	-	6402	-	6306	-	6211	-	5996	-	5718	-	5432	-	4735	-	3405	-
			25.0	0.81	24.0	0.83	24.0	0.83	24.0	0.84	23.0	0.85	23.0	0.86	23.0	0.86	24.0	0.87	24.0	0.87
	1060	6660	6863	-	6484	-	6390	-	6295	-	6086	-	5816	-	5533	-	4869	-	3572	-
			26.0	0.84	25.0	0.86	25.0	0.86	25.0	0.87	24.0	0.88	24.0	0.88	24.0	0.89	24.0	0.90	25.0	0.90
	1090	6849	7057	-	6689	-	6597	-	6505	-	6311	-	6059	-	5784	-	5199	-	3982	-
		29.0	0.91	28.0	0.93	27.0	0.94	27.0	0.94	26.0	0.95	25.0	0.96	25.0	0.97	25.0	0.98	26.0	0.97	
1	1110	6974	7186	-	6825	-	6735	-	6644	-	6459	-	6221	-	5951	-	5416	-	4251	-
			30.0	0.96	29.0	0.98	28.0	0.99	28.0	0.99	27.0	1.00	26.0	1.01	26.0	1.02	26.0	1.03	27.0	1.02
	1124	7062	7277	-	6920	-	6831	-	6742	-	6563	-	6333	-	6066	-	5567	-	4426	-
		31.0	1.00	29.0	1.02	29.0	1.02	29.0	1.03	28.0	1.04	27.0	1.05	27.0	1.06	27.0	1.07	27.0	1.07	

©PENNBARRY 2008
 Performance shown is for installation type A: free inlet, free outlet. Power rating (BHP) does not include drive losses. The sound ratings shown are for loudness values in fan sones at 5'0" (1.5m) in a hemispherical free field per AMCA Standard 301. Values shown are for installation type A: free inlet sone levels. Performance ratings do not include the effects of appurtenances in the airstream.

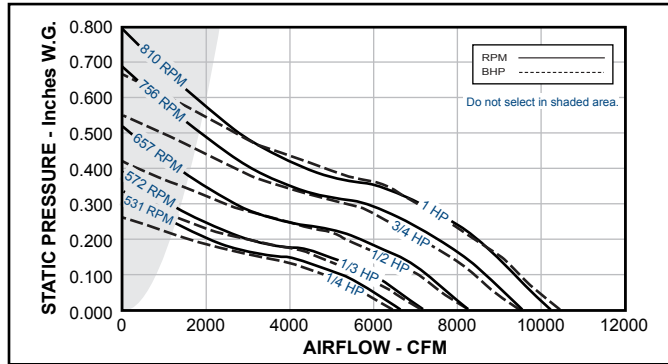
Dimensional Information & Performance Data

Breezeway Wall Mounted Propeller Fans | Belt Drive



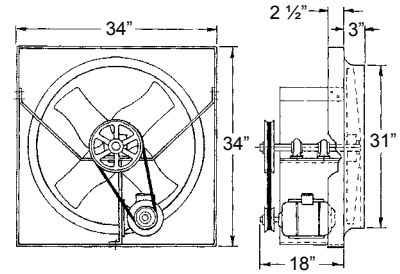
BLL30

BLL30 Belt Drive Fan Curves



BLL30 Belt Drive Fan Dimensional Data

Carbon Steel Panel = 16 Gage
Galv. Steel Web = 10 Gage
Wall Opening = 34 3/4" SQ.
Wall Shutter ID = 34" SQ.
Max. Motor Frame Size = 56
Peak BHP = $(RPM/741)^3$
Max. RPM = 842 (1 HP)
Est. Ship Weight = 110 lbs.



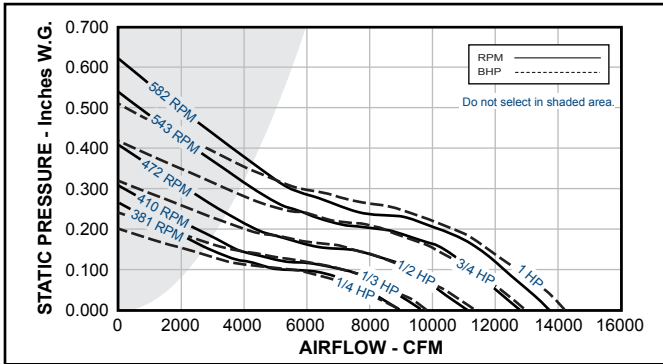
BLL30 Belt Drive Fan Performance Data

HP	RPM	Tip Speed FPM	0.000" SP		0.100" SP		0.125" SP		0.150" SP		0.200" SP		0.250" SP		0.300" SP		0.375" SP		0.500" SP		
			Sones	BHP	Sones	BHP	Sones	BHP	Sones	BHP	Sones	BHP	Sones	BHP	Sones	BHP	Sones	BHP	Sones	BHP	
1/4	420	3299	5331		2695		1694		1139		-		-		-		-		-		
			8.2	0.13	8.6	0.13	9.3	0.14	9.9	0.15	-	-	-	-	-	-	-	-	-	-	-
	445	3495	5648		3612		2296		1581		-		-		-		-		-		
			9.0	0.16	8.9	0.16	9.4	0.16	10.1	0.17	-	-	-	-	-	-	-	-	-	-	-
	460	3613	5838		3952		2684		1854		-		-		-		-		-		
			9.5	0.17	9.4	0.18	9.7	0.17	10.3	0.18	-	-	-	-	-	-	-	-	-	-	-
	475	3731	6029		4265		3217		2212		-		-		-		-		-		
			10.0	0.19	9.8	0.20	10.1	0.19	10.6	0.20	-	-	-	-	-	-	-	-	-	-	-
	490	3848	6219		4565		3861		2576		1404		-		-		-		-		
			10.5	0.21	10.4	0.23	10.5	0.22	11.1	0.21	12.3	0.23	-	-	-	-	-	-	-	-	-
505	3966	6409		4861		4211		2978		1665		-		-		-		-			
		11.1	0.23	10.9	0.25	11.1	0.24	11.6	0.23	12.8	0.25	-	-	-	-	-	-	-	-	-	
520	4084	6600		5127		4543		3508		1939		-		-		-		-			
		11.7	0.25	11.6	0.27	11.7	0.27	12.1	0.25	13.3	0.27	-	-	-	-	-	-	-	-	-	
531	4170	6739		5320		4767		4029		2138		-		-		-		-			
		12.2	0.26	12.0	0.29	12.2	0.29	12.4	0.27	13.7	0.28	-	-	-	-	-	-	-	-	-	
1/3	540	4241	6854		5476		4948		4306		2344		1431		-		-		-		
			12.5	0.28	12.3	0.30	12.5	0.30	12.7	0.29	13.7	0.29	14.9	0.31	-	-	-	-	-	-	-
	560	4398	7108		5819		5344		4765		2835		1782		-		-		-		
			13.3	0.31	13.2	0.34	13.3	0.34	13.5	0.33	14.2	0.32	15.4	0.34	-	-	-	-	-	-	-
572	4492	7260		6007		5567		5025		3123		1995		-		-		-			
		13.8	0.33	13.7	0.36	13.8	0.36	14.0	0.36	14.8	0.33	15.9	0.36	-	-	-	-	-	-	-	
1/2	590	4634	7488		6286		5884		5389		3676		2324		1540		-		-		
			14.7	0.36	14.6	0.39	14.7	0.39	14.9	0.39	15.5	0.37	16.5	0.38	17.6	0.41	-	-	-	-	-
	610	4791	7742		6594		6231		5787		4504		2776		1893		-		-		
			15.6	0.40	15.6	0.43	15.6	0.44	15.8	0.43	16.3	0.41	17.2	0.42	18.3	0.44	-	-	-	-	-
	630	4948	7996		6899		6567		6158		5125		3264		2249		-		-		
			16.6	0.44	16.6	0.47	16.6	0.48	16.7	0.48	17.2	0.47	18.1	0.45	19.3	0.48	-	-	-	-	-
645	5066	8186		7126		6801		6422		5466		3621		2522		-		-			
		17.4	0.47	17.4	0.50	17.4	0.51	17.5	0.51	17.9	0.51	18.9	0.48	20.0	0.50	-	-	-	-	-	
657	5160	8339		7299		6988		6632		5732		4020		2762		1675		-			
		18.1	0.50	18.0	0.53	18.0	0.54	18.0	0.54	18.5	0.54	19.5	0.51	21.0	0.53	22.0	0.57	-	-	-	
3/4	660	5184	8377		7341		7034		6684		5793		4123		2837		1729		-		
			18.3	0.51	18.2	0.53	18.1	0.54	18.2	0.55	18.7	0.55	19.6	0.51	21.0	0.53	22.0	0.57	-	-	-
	675	5301	8567		7551		7265		6943		6097		4704		3208		1994		-		
			19.1	0.54	19.0	0.57	19.0	0.58	19.0	0.59	19.5	0.59	20.0	0.56	21.0	0.56	23.0	0.60	-	-	-
	695	5459	8821		7830		7571		7270		6497		5509		3692		2341		-		
			19.5	0.59	19.5	0.62	19.6	0.63	19.6	0.64	19.9	0.64	20.0	0.62	22.0	0.60	23.0	0.64	-	-	-
	710	5576	9011		8038		7799		7504		6793		5862		4067		2618		-		
			19.8	0.63	19.9	0.66	19.9	0.67	19.9	0.68	20.0	0.69	21.0	0.67	22.0	0.63	23.0	0.68	-	-	-
	730	5733	9265		8314		8097		7814		7156		6308		4756		2980		-		
			20.0	0.69	20.0	0.72	20.0	0.72	20.0	0.74	21.0	0.75	21.0	0.74	22.0	0.70	23.0	0.72	-	-	-
745	58541	9456		8520		8307		8044		7420		6621		5417		3348		-			
		21.0	0.73	21.0	0.76	21.0	0.77	21.0	0.78	21.0	0.79	21.0	0.79	22.0	0.75	23.0	0.76	-	-	-	
756	5938	9595		8671		8461		8212		7612		6844		5908		3619		1887		-	
		21.0	0.76	21.0	0.80	21.0	0.80	21.0	0.81	21.0	0.83	22.0	0.82	22.0	0.79	24.0	0.79	26.0	0.87	-	-
1	770	6048	9773		8862		8656		8425		7854		7124		6239		3959		2136		-
			21.0	0.80	21.0	0.84	22.0	0.85	22.0	0.85	22.0	0.87	22.0	0.87	22.0	0.85	24.0	0.82	26.0	0.90	-
	790	6205	10027		9134		8934		8728		8198		7520		6695		4436		2487		-
			22.0	0.87	22.0	0.91	22.0	0.91	22.0	0.92	22.0	0.94	22.0	0.94	23.0	0.93	24.0	0.87	26.0	0.96	-
810	6362	10281		9406		9210		9015		8512		7891		7129		5107		2842		-	
		23.0	0.94	22.0	0.98	23.0	0.98	23.0	0.99	23.0	1.01	23.0	1.02	23.0	1.01	24.0	0.95	27.0	1.01	-	-

Performance shown is for installation type A: free inlet, free outlet. Power rating (BHP) does not include drive losses. The sound ratings shown are for loudness values in fan sones at 50' (1.5m) in a hemispherical free field per AMCA Standard 301. Values shown are for installation type A: free inlet sone levels. Performance ratings do not include the effects of appurtenances in the airstream.

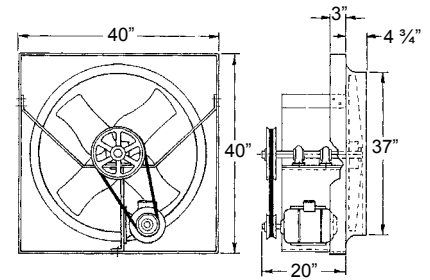
©PENN BARRY 2008

› **BLL36 Belt Drive Fan Curves**



› **BLL36 Belt Drive Fan Dimensional Data**

Carbon Steel Panel = 16 Gage
Galv. Steel Web = 10 Gage
Wall Opening = 40" SQ.
Wall Shutter ID = 40" SQ.
Max. Motor Frame Size = 56
Peak BHP = (RPM/526) ³
Max. RPM = 619 (1 HP)
Est. Ship Weight = 180 lbs.



› **BLL36 Belt Drive Fan Performance Data**

HP	RPM	Tip Speed FPM	0.000" SP		0.100" SP		0.125" SP		0.150" SP		0.200" SP		0.250" SP		0.300" SP		0.350" SP		
			Sones	BHP	Sones	BHP	Sones	BHP	Sones	BHP	Sones	BHP	Sones	BHP	Sones	BHP	Sones	BHP	
1/4	315	2944	7455	0.14	2524	0.16	-	-	-	-	-	-	-	-	-	-	-	-	
	325	3038	7691	0.16	2818	0.18	-	-	-	-	-	-	-	-	-	-	-	-	
			7904	0.17	3094	0.19	-	-	-	-	-	-	-	-	-	-	-	-	
	334	3122	8141	0.19	3521	0.20	2577	0.22	-	-	-	-	-	-	-	-	-	-	
			8319	0.21	3662	0.22	2936	0.24	-	-	-	-	-	-	-	-	-	-	-
	356	3327	8425	0.21	4075	0.22	2936	0.24	-	-	-	-	-	-	-	-	-	-	
			8662	0.22	4490	0.22	3228	0.25	-	-	-	-	-	-	-	-	-	-	-
	366	3421	8898	0.24	5239	0.24	3569	0.26	2798	0.29	-	-	-	-	-	-	-	-	-
			9017	0.25	5770	0.26	3780	0.27	2949	0.29	-	-	-	-	-	-	-	-	-
1/3	385	3598	9111	0.26	6038	0.27	3961	0.27	3068	0.30	-	-	-	-	-	-	-	-	
			9230	0.27	6268	0.28	4219	0.28	3216	0.31	-	-	-	-	-	-	-	-	-
	390	3645	9466	0.27	6722	0.28	4639	0.28	3509	0.31	-	-	-	-	-	-	-	-	
			9703	0.29	7170	0.31	5052	0.30	3829	0.33	-	-	-	-	-	-	-	-	-
	400	3738	10.9	0.29	10.2	0.31	10.9	0.30	11.4	0.33	-	-	-	-	-	-	-	-	
1/2	410	3832	11.4	0.31	10.6	0.33	11.3	0.31	11.8	0.34	-	-	-	-	-	-	-	-	
			9940	0.34	7619	0.36	5821	0.34	4252	0.36	-	-	-	-	-	-	-	-	-
	420	3925	10176	0.34	8003	0.36	6730	0.34	4739	0.36	-	-	-	-	-	-	-	-	
			12.6	0.36	11.5	0.38	11.8	0.38	12.6	0.37	-	-	-	-	-	-	-	-	-
	440	4112	10413	0.39	8309	0.41	7189	0.39	5158	0.41	3407	0.45	-	-	-	-	-	-	-
			13.2	0.39	12.1	0.41	12.3	0.41	13.1	0.39	13.8	0.45	-	-	-	-	-	-	-
3/4	460	4299	10886	0.44	8914	0.47	8089	0.47	6368	0.44	3997	0.50	-	-	-	-	-	-	
			14.5	0.44	13.3	0.47	13.2	0.47	13.9	0.44	15.0	0.50	-	-	-	-	-	-	-
	472	4411	11170	0.48	9272	0.50	8626	0.51	7417	0.50	4361	0.52	-	-	-	-	-	-	
			15.3	0.48	14.2	0.50	13.8	0.51	14.3	0.50	15.6	0.52	-	-	-	-	-	-	-
	1	482	4505	11407	0.51	9568	0.53	8985	0.54	7875	0.53	4785	0.55	-	-	-	-	-	-
16.0				0.51	14.9	0.53	14.6	0.54	14.9	0.53	16.1	0.55	-	-	-	-	-	-	-
490		4580	11596	0.54	9804	0.56	9231	0.57	8238	0.56	5195	0.56	3751	0.63	-	-	-	-	
			16.5	0.54	15.4	0.56	15.1	0.57	15.3	0.56	16.5	0.56	17.1	0.63	-	-	-	-	-
500		4673	11833	0.57	10097	0.60	9535	0.60	8685	0.60	5619	0.59	4049	0.66	-	-	-	-	
			17.2	0.57	16.2	0.60	15.8	0.60	15.8	0.60	17.0	0.59	17.7	0.66	-	-	-	-	-
510		4767	12070	0.60	10369	0.63	9837	0.64	9135	0.64	6036	0.61	4344	0.73	-	-	-	-	
	17.9		0.60	16.8	0.63	16.5	0.64	16.3	0.64	17.5	0.61	18.2	0.73	-	-	-	-	-	
	12425		0.66	10776	0.69	10286	0.69	9751	0.70	6753	0.65	4778	0.85	-	-	-	-	-	
525	4907	18.7	0.66	17.7	0.69	17.4	0.69	17.1	0.70	18.1	0.65	18.9	0.73	-	-	-	-		
		12851	0.73	11260	0.76	10819	0.76	10302	0.77	8471	0.76	5522	0.85	4295	0.94	-	-	-	
1	543	5075	18.9	0.73	18.4	0.76	18.2	0.76	18.0	0.77	18.3	0.76	19.3	0.77	19.8	0.85	-	-	
			13017	0.76	11447	0.79	11025	0.79	10514	0.79	8793	0.79	5901	0.94	4503	1.05	-	-	
	550	5140	19.1	0.76	18.6	0.79	18.6	0.79	18.4	0.80	18.6	0.79	19.4	0.79	20.0	0.87	-	-	
			13490	0.84	11979	0.87	11588	0.88	11115	0.89	9701	0.89	6740	0.94	5087	1.05	-	-	
570	5327	19.5	0.84	19.5	0.87	19.5	0.88	19.4	0.89	19.4	0.89	20.0	0.85	20.0	0.94	-	-		
		13774	0.90	12296	0.93	11913	0.94	11473	0.94	10238	0.95	7234	1.05	4505	1.15	-	-		
582	5440	19.8	0.90	20.0	0.93	20.0	0.94	20.0	0.94	19.9	0.95	20.0	0.90	21.0	0.98	21.0	1.05		

Performance shown is for installation type A: free inlet, free outlet. Power rating (BHP) does not include drive losses. The sound ratings shown are for loudness values in fan sones at 5'0" (1.5m) in a hemispherical free field per AMCA Standard 301. Values shown are for installation type A: free inlet some levels. Performance ratings do not include the effects of appurtenances in the airstream.

Wall Mounted Propeller Fans

Breezeway

Dimensional Information & Performance Data

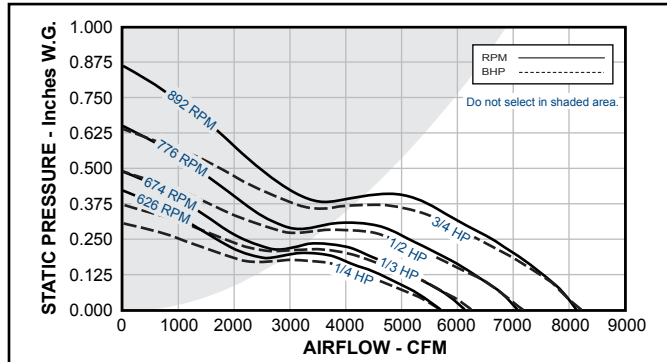
Breezeway Wall Mounted Propeller Fans | Belt Drive



BHM24B

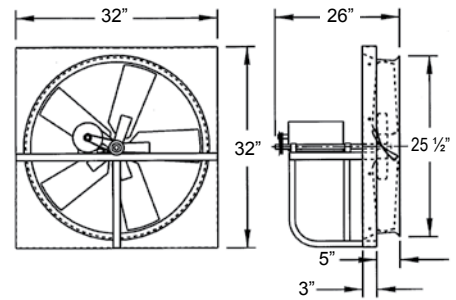
Wall Mounted Propeller Fans

› BHM24B Belt Drive Fan Curves



› BHM24B Belt Drive Fan Dimensional Data

Galv. Steel Panel = 16 Gage
Galv. Steel Mtr. Plate = 12 Gage
Galv. Steel Structure = 12 Gage
Wall Opening = 32 3/4" SQ.
Max. Motor Frame Size = 184T
Peak BHP = (RPM/934) ³
Max. RPM = 946 (3/4 HP)
Est. Ship Weight = 120 lbs.



› BHM24B Belt Drive Fan Performance Data

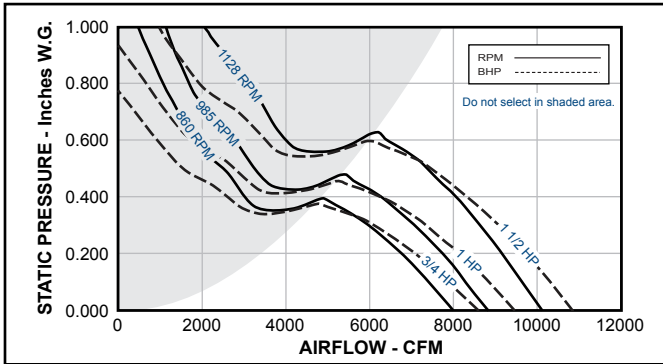
HP	RPM	Tip Speed FPM	0.000" SP		0.100" SP		0.125" SP		0.200" SP		0.250" SP		0.375" SP	
			Sones	BHP	Sones	BHP	Sones	BHP	Sones	BHP	Sones	BHP	Sones	BHP
1/4	575	3766	5240		4314		3992		-		-		-	
			8.0	0.20	6.9	0.21	6.7	0.22	-		-		-	
1/4	626	4100	5705		4900		4325		3612		-		-	
			9.3	0.25	8.3	0.27	8.0	0.28	7.3	0.30	-		-	
1/3	650	4258	5924		5166		4906		4007		-		-	
			10.1	0.28	9.1	0.30	8.7	0.31	7.9	0.32	-		-	
1/3	674	4415	6143		5429		5184		4329		-		-	
			10.9	0.31	10.0	0.33	9.6	0.34	8.7	0.35	-		-	
1/2	710	4651	6471		5820		5591		4824		4235		-	
			13.5	0.37	12.5	0.39	12.0	0.39	10.3	0.41	9.5	0.43	-	
1/2	745	4880	6790		6182		5977		5273		4728		-	
			14.5	0.42	13.7	0.45	13.2	0.45	11.6	0.47	10.5	0.48	-	
1/2	776	5083	7072		6498		6314		5659		5142		-	
			14.6	0.48	14.2	0.50	13.8	0.51	12.3	0.53	11.4	0.54	-	
3/4	805	5273	7337		6791		6625		6005		5542		-	
			15.0	0.54	14.6	0.56	14.2	0.56	13.0	0.58	12.2	0.78	-	
3/4	835	5469	7610		7092		6933		6355		5921		-	
			15.8	0.60	15.4	0.62	15.2	0.63	14.0	0.65	13.2	0.66	-	
3/4	865	5666	7883		7392		7238		6700		6295		5114	
			17.4	0.66	16.9	0.69	16.7	0.70	15.5	0.72	14.7	0.73	12.9	0.78
3/4	892	5843	8130		7661		7512		7005		6619		5515	
			18.7	0.73	18.3	0.76	18.2	0.76	17.0	0.78	16.1	0.80	13.9	0.83

Performance shown is for installation type A: free inlet, free outlet. Power rating (BHP) does not include drive losses. The sound ratings shown are for loudness values in fan zones at 5'0" (1.5m) in a hemispherical free field per AMCA Standard 301. Values shown are for installation type A: free inlet zone levels. Performance ratings do not include the effects of appurtenances in the airstream.

B
r
e
e
z
e
w
a
y

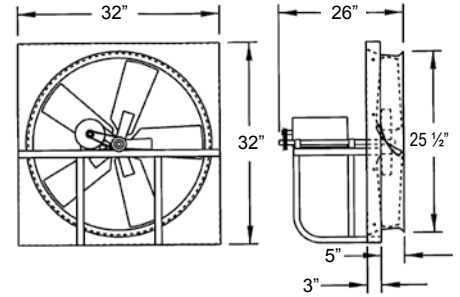
©PENNBARRY 2008

› BHH24B Belt Drive Fan Curves



› BHH24B Belt Drive Fan Dimensional Data

Galv. Steel Panel = 16 Gage
Galv. Steel Mtr. Plate = 12 Gage
Galv. Steel Structure = 12 Gage
Wall Opening = 32 3/4" SQ.
Max. Motor Frame Size = 184T
Peak BHP = (RPM/962) ³
Max. RPM = 1216 (1 1/2 HP)
Est. Ship Weight = 130 lbs.



› BHH24B Belt Drive Fan Performance Data

HP	RPM	Tip Speed FPM	0.000" SP		0.100" SP		0.125" SP		0.200" SP		0.250" SP		0.375" SP		0.500" SP		0.625" SP	
			Sones	BHP	Sones	BHP	Sones	BHP	Sones	BHP	Sones	BHP	Sones	BHP	Sones	BHP	Sones	BHP
3/4	800	5236	7156		6506		6322		5734		5244		-		-		-	
			12.9	0.43	13.3	0.46	13.1	0.47	12.4	0.51	11.9	0.53	-		-		-	
	830	5432	7424		6797		6631		6064		5623		-		-		-	
			13.6	0.48	14.1	0.52	13.9	0.52	13.3	0.56	12.9	0.58	-		-		-	
	860	5629	7692		7088		6936		6391		5997		-		-		-	
			14.4	0.54	14.9	0.57	14.8	0.58	14.2	0.61	13.8	0.64	-		-		-	
1	935	6120	8363		7807		7668		7192		6857		5814		-		-	
			16.7	0.69	17.4	0.73	17.3	0.74	16.8	0.77	16.3	0.79	15.5	0.86	-		-	
			8453		7902		7765		7298		6966		5973		-		-	
			17.1	0.71	17.7	0.75	17.7	0.76	17.2	0.79	16.7	0.82	15.9	0.88	-		-	
			8542		7997		7861		7403		7075		6103		-		-	
			17.4	0.73	18.1	0.77	18.2	0.78	17.6	0.82	17.2	0.84	16.3	0.91	-		-	
			8632		8093		7958		7508		7183		6232		-		-	
	965	6316	17.7	0.76	18.5	0.80	18.6	0.81	18.1	0.84	17.6	0.87	16.7	0.93	-		-	
			8721		8188		8054		7612		7291		6361		-		-	
			18.1	0.78	18.8	0.82	19.0	0.83	18.5	0.86	18.1	0.89	17.1	0.96	-		-	
			8810		8282		8150		7717		7399		6488		-		-	
			18.5	0.81	19.2	0.85	19.3	0.86	19.0	0.89	18.6	0.92	17.6	0.98	-		-	
1 1/2	1010	6610	9034		8519		8390		7976		7666		6805		5535		-	
			19.3	0.87	20.0	0.91	20.0	0.92	20.0	0.95	19.7	0.98	18.9	1.05	18.8	1.15	-	
			9213		8708		8582		8183		7879		7056		5879		-	
			20.0	0.92	21.0	0.96	21.0	0.97	21.0	1.01	21.0	1.03	19.9	1.10	19.7	1.20	-	
			9392		8897		8773		8389		8090		7304		6218		-	
			21.0	0.98	22.0	1.02	22.0	1.03	22.0	1.06	22.0	1.09	21.0	1.16	21.0	1.25	-	
			9571		9085		8963		8594		8300		7550		6553		-	
			22.0	1.03	23.0	1.08	23.0	1.09	24.0	1.12	24.0	1.15	24.0	1.22	24.0	1.30	-	
			9750		9272		9153		8795		8510		7791		682		-	
		23.0	1.09	24.0	1.14	25.0	1.15	25.0	1.18	25.0	1.21	25.0	1.28	26.0	1.35	-		
		9929		9460		9343		8991		8718		8012		7141		-		
		25.0	1.15	26.0	1.20	26.0	1.21	26.0	1.24	26.0	1.27	26.0	1.34	27.0	1.42	-		
		10090		8628		9513		9167		8905		8211		7372		6167		
		25.0	1.21	26.0	1.26	27.0	1.27	27.0	1.30	27.0	1.33	27.0	1.40	28.0	1.48	27.0	1.61	

Performance shown is for installation type A: free inlet, free outlet. Power rating (BHP) does not include drive losses. The sound ratings shown are for loudness values in fan sones at 5'0" (1.5m) in a hemispherical free field per AMCA Standard 301. Values shown are for installation type A: free inlet sone levels. Performance ratings do not include the effects of appurtenances in the airstream.

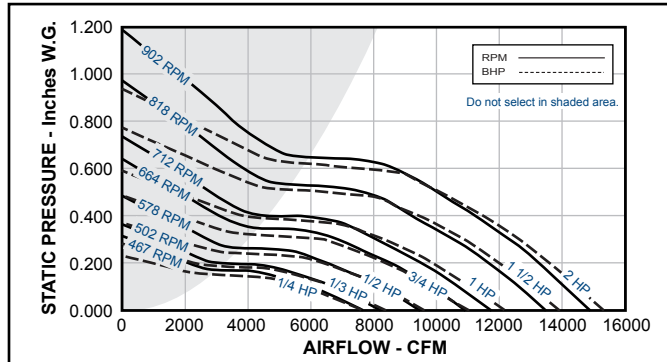
Dimensional Information & Performance Data

Breezeway Wall Mounted Propeller Fans | Belt Drive



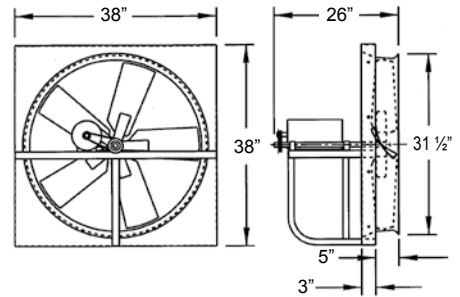
BHM30B

BHM30B Belt Drive Fan Curves



BHM30B Belt Drive Fan Dimensional Data

Galv. Steel Panel = 16 Gage
Galv. Steel Mtr. Plate = 12 Gage
Galv. Steel Structure = 12 Gage
Wall Opening = 38 3/4" SQ.
Max. Motor Frame Size = 184T
Peak BHP = (RPM/700) ³
Max. RPM = 956 (2 HP)
Est. Ship Weight = 140 lbs.



BHM30B Belt Drive Fan Performance Data

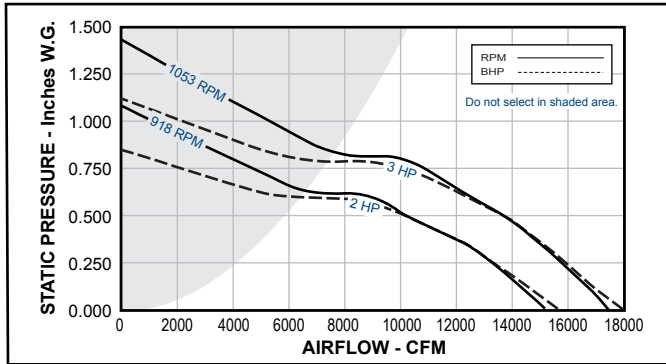
HP	RPM	Tip Speed FPM	0.000" SP		0.100" SP		0.125" SP		0.200" SP		0.250" SP		0.375" SP		0.500" SP		0.625" SP	
			Sones	BHP	Sones	BHP	Sones	BHP	Sones	BHP	Sones	BHP	Sones	BHP	Sones	BHP	Sones	BHP
1/4	400	3248	6596	-	4400	-	3413	-	-	-	-	-	-	-	-	-	-	-
	467	3792	5.9 0.16	7.6 0.19	7.701	5403	-	-	-	-	-	-	-	-	-	-	-	-
1/3	485	3177	7.4 0.25	8.2 0.27	7998	5832	-	-	-	-	-	-	-	-	-	-	-	-
	502	4076	7.8 0.28	8.3 0.30	8278	6231	3853	-	-	-	-	-	-	-	-	-	-	-
1/2	525	4263	8.2 0.31	8.9 0.33	8658	7190	6760	5180	-	-	-	-	-	-	-	-	-	-
	550	4466	8.7 0.36	9.3 0.37	9070	7683	7296	5831	-	-	-	-	-	-	-	-	-	-
3/4	615	4994	9.3 0.41	9.9 0.43	10142	8938	8592	7413	6521	-	-	-	-	-	-	-	-	-
	645	5237	11.0 0.58	11.6 0.59	10637	9506	9176	8114	7266	-	-	-	-	-	-	-	-	-
1	685	5562	12.0 0.67	12.5 0.68	11296	10238	9944	9011	8227	4761	-	-	-	-	-	-	-	-
	712	5781	12.0 0.73	13.1 0.75	13544	12508	12229	11291	10366	6383	-	-	-	-	-	-	-	-
1 1/2	740	6009	14.5 0.90	14.7 0.92	12703	11723	10978	10119	9505	7653	-	-	-	-	-	-	-	-
	775	6293	15.6 1.00	15.7 1.03	12781	11845	11611	10810	10261	8531	-	-	-	-	-	-	-	-
2	800	6496	16.9 1.15	17.0 1.18	13193	12286	12060	11299	10766	9144	6827	-	-	-	-	-	-	-
	818	6642	18.0 1.27	18.1 1.29	13490	12603	12382	11648	11127	9577	7769	-	-	-	-	-	-	-
2	845	6861	18.9 1.36	18.9 1.38	13935	13077	12862	12168	11663	10219	8595	-	-	-	-	-	-	-
	865	7024	20.0 1.50	20.0 1.52	14265	13427	13217	12550	12057	10688	9103	-	-	-	-	-	-	-
2	885	7186	21.0 1.60	21.0 1.63	14595	13775	13570	12930	12449	11152	9605	6291	-	-	-	-	-	-
	902	7324	22.0 1.72	22.0 1.75	14875	14071	13870	13252	12780	11543	10026	8157	-	-	-	-	-	-
2			23.0 1.82	22.0 1.85									25.0 2.13					

Performance shown is for installation type A: free inlet, free outlet. Power rating (BHP) does not include drive losses. The sound ratings shown are for loudness values in fan sones at 5'0" (1.5m) in a hemispherical free field per AMCA Standard 301. Values shown are for installation type A: free inlet sone levels. Performance ratings do not include the effects of appurtenances in the airstream.

Wall Mounted Propeller Fans

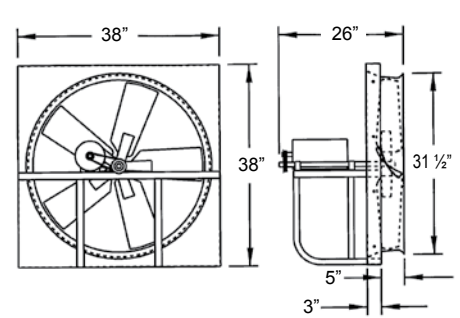
Breezeway

› BHH30B Belt Drive Fan Curves



› BHH30B Belt Drive Fan Dimensional Data

Galv. Steel Panel = 16 Gage
Galv. Steel Mtr. Plate = 12 Gage
Galv. Steel Structure = 12 Gage
Wall Opening = 38 3/4" SQ.
Max. Motor Frame Size = 184T
Peak BHP = (RPM/708) ³
Max. RPM = 1105 (3 HP)
Est. Ship Weight = 150 lbs.



Wall Mounted Propeller Fans

› BHH30B Belt Drive Fan Performance Data

HP	RPM	Tip Speed FPM	0.000" SP		0.100" SP		0.125" SP		0.200" SP		0.250" SP		0.375" SP		0.500" SP		0.625" SP		0.750" SP	
			Sones	BHP	Sones	BHP	Sones	BHP	Sones	BHP	Sones	BHP	Sones	BHP	Sones	BHP	Sones	BHP	Sones	BHP
2	840	6821	13962		13142		12916		12215		11724		10103		8338		-		-	
			20.0	1.43	21.0	1.47	21.0	1.48	22.0	1.50	22.0	1.51	22.0	1.54	22.0	1.63	-	-	-	-
	865	7024	14377		13581		13369		12688		12217		10719		9030		-		-	
			21.0	1.57	22.0	1.60	22.0	1.61	22.0	1.63	23.0	1.65	23.0	1.67	23.0	1.74	-	-	-	-
3	895	7267	14876		14106		13910		13252		12803		11451		9793		-		-	
			23.0	1.73	23.0	1.77	23.0	1.78	24.0	1.81	24.0	1.82	24.0	1.85	24.0	1.89	-	-	-	-
	918	7454	15258		14508		14320		13682		13249		12005		10377		7494		-	
			24.0	1.87	24.0	1.91	24.0	1.92	24.0	1.94	24.0	1.96	25.0	1.99	25.0	2.03	26.0	2.09	-	-
3	950	7714	15790		15065		14884		14276		13863		12765		11176		9645		-	
			25.0	2.07	25.0	2.11	25.0	2.12	26.0	2.15	26.0	2.17	26.0	2.20	26.0	2.23	26.0	2.34	-	-
	975	7917	16205		15499		15322		14738		14335		13284		11790		10298		-	
			26.0	2.24	26.0	2.28	26.0	2.29	26.0	2.32	27.0	2.34	27.0	2.37	27.0	2.40	27.0	2.48	-	-
	1000	8120	16621		15932		15760		15197		14805		13786		12407		10933		7566	
			27.0	2.42	27.0	2.46	27.0	2.47	27.0	2.50	28.0	2.52	28.0	2.56	28.0	2.59	28.0	2.64	29.0	2.76
1025	8323	17036		16365		16197		15655		15272		14283		13018		11568		10091		
		28.0	2.60	28.0	2.65	28.0	2.66	28.0	2.69	29.0	2.71	29.0	2.75	29.0	2.78	29.0	2.83	30.0	2.97	
1053	8550	17502		16848		16684		16165		15792		14837		13694		12268		10895		
		29.0	2.82	30.0	2.87	30.0	2.88	30.0	2.91	30.0	2.93	30.0	2.97	30.0	3.01	30.0	3.05	31.0	3.16	

Performance shown is for installation type A: free inlet, free outlet. Power rating (BHP) does not include drive losses. The sound ratings shown are for loudness values in fan sones at 5'0" (1.5m) in a hemispherical free field per AMCA Standard 301. Values shown are for installation type A: free inlet sone levels. Performance ratings do not include the effects of appurtenances in the airstream.

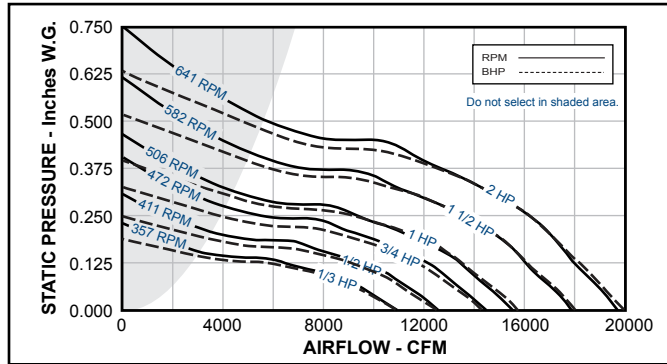
Dimensional Information & Performance Data

Breezeway Wall Mounted Propeller Fans | Belt Drive



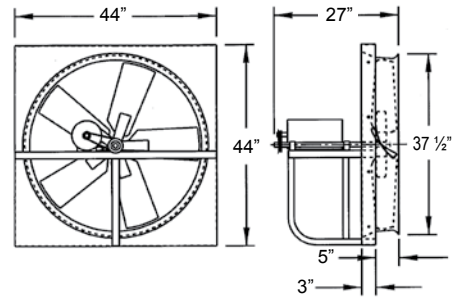
BHM36B

> BHM36B Belt Drive Fan Curves



> BHM36B Belt Drive Fan Dimensional Data

Galv. Steel Panel = 14 Gage
Galv. Steel Mtr. Plate = 12 Gage
Galv. Steel Structure = 12 Gage
Wall Opening = 44 3/4" SQ.
Max. Motor Frame Size = 215T
Peak BHP = (RPM/495) ³
Max. RPM = 665 (2 HP)
Est. Ship Weight = 180 lbs.



> BHM36B Belt Drive Fan Performance Data

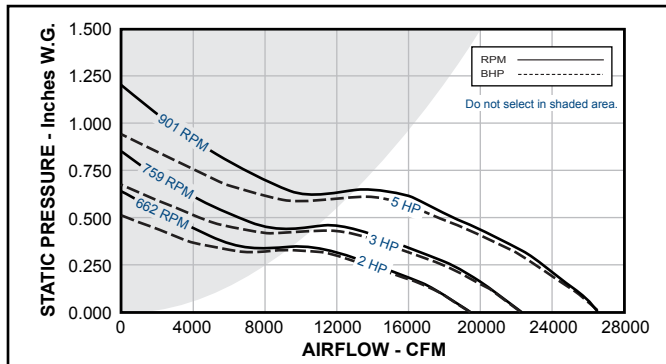
HP	RPM	Tip Speed FPM	0.000" SP		0.100" SP		0.125" SP		0.200" SP		0.250" SP		0.375" SP		0.500" SP	
			Sones	BHP	Sones	BHP	Sones	BHP	Sones	BHP	Sones	BHP	Sones	BHP	Sones	BHP
1/3	300	2910	9201		3649		-		-		-		-		-	
			5.6	0.20	5.5	0.22	-		-		-		-		-	
1/2	357	3463	10949		7970		6540		-		-		-		-	
			7.4	0.34	6.6	0.35	6.7	0.36	-		-		-		-	
3/4	385	3735	11808		9332		8185		-		-		-		-	
			8.4	0.42	7.6	0.43	7.5	0.44	-		-		-		-	
1	411	3987	12605		10419		9498		3974		-		-		-	
			9.4	0.51	8.5	0.53	8.3	0.53	9.6	0.57	-		-		-	
1 1/2	440	4268	13495		11559		10865		7683		-		-		-	
			10.5	0.63	9.7	0.65	9.4	0.64	9.5	0.68	-		-		-	
2	472	4578	14476		12665		12143		9512		5505		-		-	
			11.8	0.77	11.0	0.80	10.8	0.80	10.4	0.81	11.8	0.86	-		-	
2 1/2	485	4705	14875		13110		12654		10249		8188		-		-	
			12.3	0.84	11.7	0.86	11.5	0.87	10.9	0.87	11.4	0.93	-		-	
3	495	4802	15182		13450		13030		10766		8747		-		-	
			12.8	0.89	12.2	0.92	12.0	0.93	11.3	0.92	11.8	0.97	-		-	
4	506	4908	15519		13823		13412		11328		9306		-		-	
			13.3	0.95	12.7	0.98	12.5	0.99	11.9	0.98	12.1	1.01	-		-	
5	530	5141	16255		14631		14238		12505		10778		-		-	
			14.3	1.10	14.0	1.12	13.8	1.13	13.1	1.13	12.9	1.14	-		-	
6	555	5384	17022		15477		15091		13681		12118		4962		-	
			15.4	1.26	15.3	1.28	15.2	1.29	14.6	1.29	14.1	1.30	16.6	1.40	-	
7	582	5645	17850		16397		16003		14765		13469		7231		-	
			16.7	1.45	16.7	1.47	16.7	1.48	16.2	1.50	15.7	1.49	17.1	1.62	-	
8	600	5820	18402		17006		16607		15477		14339		10392		-	
			17.6	1.59	17.7	1.61	17.7	1.62	17.3	1.65	16.8	1.63	16.7	1.74	-	
9	615	5966	18862		17511		17115		16065		15053		11159		-	
			18.3	1.71	18.5	1.73	18.6	1.74	18.2	1.78	17.8	1.76	17.3	1.83	-	
10	630	6111	19322		18014		17628		16616		15679		11994		-	
			19.1	1.84	19.3	1.86	19.4	1.89	19.2	1.91	18.8	1.89	18.0	1.93	-	
11	641	6218	19660		18383		18003		16998		16121		12691		5738	
			19.6	1.94	19.9	1.96	20.0	1.97	19.9	2.01	19.5	2.00	18.5	2.03	21.0	2.16

Performance shown is for installation type A: free inlet, free outlet. Power rating (BHP) does not include drive losses. The sound ratings shown are for loudness values in fan sones at 5'0" (1.5m) in a hemispherical free field per AMCA Standard 301. Values shown are for installation type A: free inlet sone levels. Performance ratings do not include the effects of appurtenances in the airstream.

Wall Mounted Propeller Fans

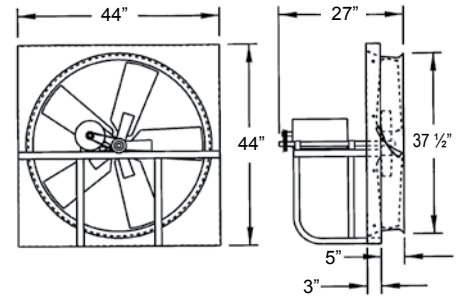
B
r
e
e
z
e
w
a
y

› BHH36B Belt Drive Fan Curves



› BHH36B Belt Drive Fan Dimensional Data

Galv. Steel Panel = 14 Gage
Galv. Steel Mtr. Plate = 12 Gage
Galv. Steel Structure = 12 Gage
Wall Opening = 44 3/4" SQ.
Max. Motor Frame Size = 215T
Peak BHP = (RPM/511) ³
Max. RPM = 929 (5 HP)
Est. Ship Weight = 190 lbs.



› BHH36B Belt Drive Fan Performance Data

HP	RPM	Tip Speed FPM	0.000" SP		0.100" SP		0.125" SP		0.200" SP		0.250" SP		0.375" SP		0.500" SP		.625" SP		0.750" SP		
			Sones	BHP	Sones	BHP	Sones	BHP	Sones	BHP	Sones	BHP	Sones	BHP	Sones	BHP	Sones	BHP	Sones	BHP	
2	600	5820	17640	16310	15889	14627	13470	9971	-	-	-	-	-	-	-	-	-	-	-	-	
			17.3	1.47	17.8	1.50	18.1	1.51	18.4	1.54	18.7	1.55	19.2	1.61	-	-	-	-	-	-	-
	620	6014	18228	16964	16557	15387	14347	11251	-	-	-	-	-	-	-	-	-	-	-	-	
			18.1	1.62	18.5	1.65	18.8	1.66	19.1	1.69	19.4	1.70	19.9	1.76	-	-	-	-	-	-	-
3	640	6208	18816	17615	17220	16079	15148	12174	-	-	-	-	-	-	-	-	-	-	-	-	
			18.9	1.78	19.3	1.81	19.5	1.82	19.9	1.86	20.0	1.87	21.0	1.92	-	-	-	-	-	-	-
	662	6421	19462	18327	17946	16834	16011	13196	-	-	-	-	-	-	-	-	-	-	-	-	
			19.8	1.97	20.0	2.00	20.0	2.01	21.0	2.05	21.0	2.07	21.0	2.11	-	-	-	-	-	-	-
5	685	6645	20139	19064	18699	17617	16901	14257	10010	-	-	-	-	-	-	-	-	-	-	-	
			21.0	2.18	21.0	2.22	21.0	2.23	22.0	2.26	22.0	2.29	22.0	2.33	24.0	2.41	-	-	-	-	-
	705	6839	20727	19682	19351	18292	17613	15164	12442	-	-	-	-	-	-	-	-	-	-	-	
			22.0	2.38	22.0	2.41	22.0	2.42	23.0	2.46	23.0	2.49	23.0	2.53	24.0	2.60	-	-	-	-	-
	725	7033	21315	20299	20001	18963	18303	16060	13413	-	-	-	-	-	-	-	-	-	-	-	
			23.0	2.58	23.0	2.62	23.0	2.63	24.0	2.67	24.0	2.70	24.0	2.74	25.0	2.81	-	-	-	-	-
5	740	7178	21756	20760	20486	19463	18817	16724	14103	-	-	-	-	-	-	-	-	-	-	-	
			23.0	2.75	24.0	2.79	24.0	2.80	25.0	2.84	25.0	2.86	25.0	2.91	26.0	2.97	-	-	-	-	-
	759	7362	22314	21344	21098	20100	19464	17556	14986	-	-	-	-	-	-	-	-	-	-	-	
			24.0	2.97	25.0	3.01	25.0	3.02	26.0	3.05	26.0	3.08	26.0	3.13	27.0	3.19	-	-	-	-	-
5	790	7663	23226	22293	22060	21134	20511	18796	16418	14027	-	-	-	-	-	-	-	-	-	-	
			26.0	3.34	26.0	3.39	26.0	3.40	27.0	3.44	27.0	3.46	27.0	3.52	28.0	3.57	29.0	3.65	-	-	-
	820	7954	24108	23210	22985	22128	21516	19968	17777	15431	-	-	-	-	-	-	-	-	-	-	
			27.0	3.74	28.0	3.78	28.0	3.79	29.0	3.83	29.0	3.86	29.0	3.93	30.0	3.98	30.0	4.05	-	-	-
	850	8245	24990	24123	23907	23114	22520	21105	19114	16820	14229	-	-	-	-	-	-	-	-	-	-
			29.0	4.17	29.0	4.21	30.0	4.22	30.0	4.26	31.0	4.29	31.0	4.36	31.0	4.41	32.0	4.48	33.0	4.58	-
5	880	8536	25872	25035	24826	24095	23521	22143	20427	18208	16060	-	-	-	-	-	-	-	-	-	
			30.0	4.62	31.0	4.67	31.0	4.68	32.0	4.72	32.0	4.75	32.0	4.83	32.0	4.87	33.0	4.94	34.0	5.03	-
	901	8740	26489	25672	25467	24778	24218	22864	21261	19163	17029	-	-	-	-	-	-	-	-	-	-
			31.0	4.96	32.0	5.01	32.0	5.02	33.0	5.06	34.0	5.09	34.0	5.17	34.0	5.22	34.0	5.29	35.0	5.37	-

Performance shown is for installation type A: free inlet, free outlet. Power rating (BHP) does not include drive losses. The sound ratings shown are for loudness values in fan sones at 5'0" (1.5m) in a hemispherical free field per AMCA Standard 301. Values shown are for installation type A: free inlet sone levels. Performance ratings do not include the effects of appurtenances in the airstream.

Wall Mounted Propeller Fans

B
r
e
e
z
e
w
a
y

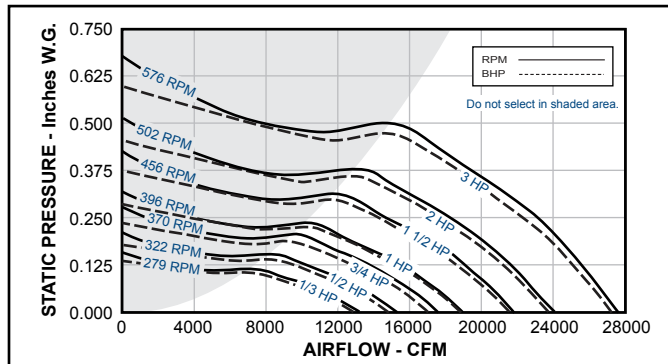
Dimensional Information & Performance Data

Breezeway Wall Mounted Propeller Fans | Belt Drive



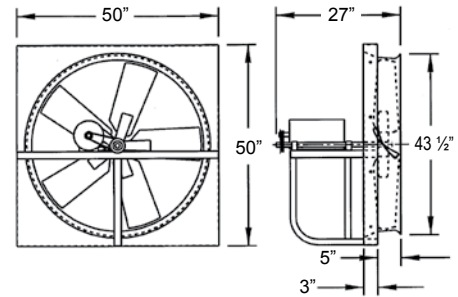
BHM42B

BHM42B Belt Drive Fan Curves



BHM42B Belt Drive Fan Dimensional Data

Galv. Steel Panel = 14 Gage
Galv. Steel Mtr. Plate = 12 Gage
Galv. Steel Structure = 12 Gage
Wall Opening = 50 3/4" SQ.
Max. Motor Frame Size = 215T
Peak BHP = (RPM/388) ³
Max. RPM = 583 (3 HP)
Est. Ship Weight = 225 lbs.



BHM42B Belt Drive Fan Performance Data

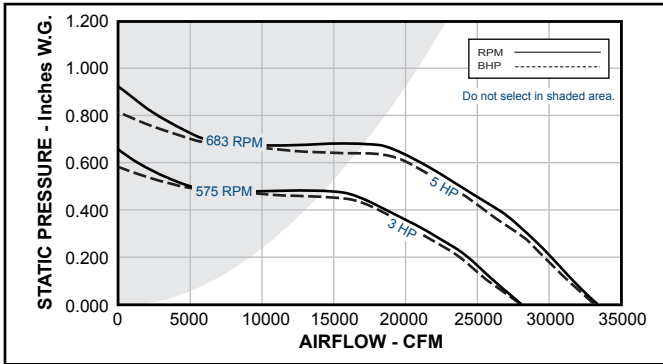
HP	RPM	Tip Speed FPM	0.000" SP		0.100" SP		0.125" SP		0.200" SP		0.250" SP		0.300" SP		0.375" SP		0.500" SP	
			Sones	BHP	Sones	BHP	Sones	BHP	Sones	BHP	Sones	BHP	Sones	BHP	Sones	BHP	Sones	BHP
1/3	260	2930	12463	-	7191	-	-	-	-	-	-	-	-	-	-	-	-	-
	279	3144	13374	7.3 0.29	8659	6.5 0.30	-	-	-	-	-	-	-	-	-	-	-	-
1/2	300	3381	14381	8.3 0.35	10292	7.5 0.36	8779	-	-	-	-	-	-	-	-	-	-	-
	322	3629	15436	9.3 0.44	11854	8.8 0.45	10477	8.3 0.45	-	-	-	-	-	-	-	-	-	-
3/4	350	3944	16778	10.4 0.55	14950	10.1 0.56	13949	9.7 0.55	10376	-	-	-	-	-	-	-	-	-
	370	4170	17737	12.0 0.70	16778	11.9 0.72	15638	11.5 0.72	13949	11.6 0.86	-	-	-	-	-	-	-	-
1	380	4283	18216	13.1 0.83	15518	13.2 0.84	14638	12.8 0.85	11145	-	-	-	-	-	-	-	-	-
	390	4395	18695	13.7 0.90	16081	13.8 0.91	15266	13.5 0.92	11885	-	-	-	-	-	-	-	-	-
	396	4463	18983	14.2 0.97	16417	14.3 0.98	15638	14.2 0.99	12360	-	-	-	-	-	-	-	-	-
1 1/2	420	4733	20134	14.5 1.01	17749	14.7 1.02	17075	14.6 1.04	14238	-	-	-	-	-	-	-	-	-
	440	4959	21092	15.8 1.21	18844	16.1 1.21	18201	16.2 1.23	15682	14.4 1.24	-	-	-	-	-	-	-	-
	456	5139	21859	17.1 1.39	19702	17.4 1.39	19093	17.5 1.41	16808	15.8 1.40	12943	-	-	-	-	-	-	-
2	470	5297	22531	18.2 1.55	20449	18.5 1.55	19867	18.6 1.56	17782	17.2 1.57	14865	16.6 1.60	-	-	-	-	-	-
	485	5466	23250	19.1 1.70	21243	19.4 1.70	20690	19.5 1.70	18791	18.4 1.72	14865	17.6 1.72	-	-	-	-	-	-
	495	5579	23729	20.0 1.86	21771	20.0 1.86	21234	20.0 1.86	19415	19.8 1.90	15930	19.0 1.88	-	-	-	-	-	-
	502	5658	24065	21.0 1.98	22139	21.0 1.98	21609	21.0 1.98	19849	20.0 2.00	16478	20.0 2.00	-	-	-	-	-	-
3	525	5917	25167	21.0 2.07	23344	21.0 2.07	22837	22.0 2.06	21242	21.0 2.12	16478	21.0 2.09	13791	20.0 2.14	-	-	-	-
	545	6142	26126	23.0 2.36	24385	23.0 2.37	23896	23.0 2.36	22374	23.0 2.40	17144	22.0 2.40	-	-	-	-	-	-
	560	6311	26845	24.0 2.64	25162	24.0 2.65	24687	24.0 2.65	23216	25.0 2.68	18325	24.0 2.71	18325	24.0 2.67	-	-	-	-
	576	6492	27612	25.0 2.87	25988	25.0 2.88	25526	25.0 2.87	24107	25.0 2.90	19564	25.0 2.95	19564	25.0 2.90	-	-	-	-
	576	6492	27612	26.0 3.12	25988	26.0 3.13	25526	26.0 3.13	24107	27.0 3.14	19564	27.0 3.21	19564	27.0 3.16	15578	27.0 3.25	-	-

Performance shown is for installation type A: free inlet, free outlet. Power rating (BHP) does not include drive losses. The sound ratings shown are for loudness values in fan sones at 5'0" (1.5m) in a hemispherical free field per AMCA Standard 301. Values shown are for installation type A: free inlet sone levels. Performance ratings do not include the effects of appurtenances in the airstream.

Wall Mounted Propeller Fans

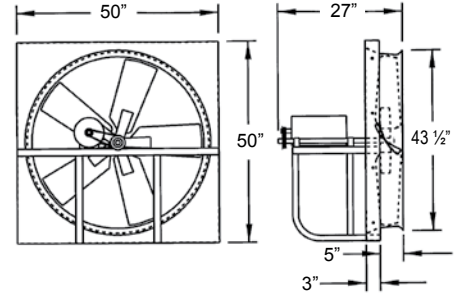
Breezeway

› BHH42B Belt Drive Fan Curves



› BHH42B Belt Drive Fan Dimensional Data

Galv. Steel Panel = 14 Gage
Galv. Steel Mtr. Plate = 12 Gage
Galv. Steel Structure = 12 Gage
Wall Opening = 50 3/4" SQ.
Max. Motor Frame Size = 215T
Peak BHP = (RPM/387) ³
Max. RPM = 699 (5 HP)
Est. Ship Weight = 245 lbs.



Wall Mounted Propeller Fans

› BHH42B Belt Drive Fan Performance Data

HP	RPM	Tip Speed FPM	0.000" SP		0.100" SP		0.125" SP		0.200" SP		0.250" SP		0.300" SP		0.375" SP		0.500" SP		0.625" SP	
			Sones	BHP	Sones	BHP	Sones	BHP	Sones	BHP	Sones	BHP	Sones	BHP	Sones	BHP	Sones	BHP	Sones	BHP
3	525	5917	25530		23361		22879		21213		19799		18129		15429		-		-	
			22.0	2.31	23.0	2.36	23.0	2.36	23.0	2.39	23.0	2.41	22.0	2.38	21.0	2.37	-	-	-	-
	535	6029	26017		23879		23406		21805		20484		18860		16244		-		-	
			23.0	2.45	23.0	2.50	23.0	2.50	24.0	2.53	23.0	2.55	23.0	2.52	22.0	2.37	-	-	-	-
	550	6199	26746		24653		24193		22687		21499		19941		17450		-		-	
			24.0	2.66	24.0	2.71	24.0	2.71	25.0	2.74	24.0	2.78	24.0	2.75	23.0	2.72	-	-	-	-
565	6368	27475		25433		24977		23561		22405		20989		18635		-		-		
		25.0	2.88	25.0	2.94	25.0	2.94	25.0	2.96	26.0	3.00	25.0	2.99	24.0	2.95	-	-	-	-	
575	6480	27962		25955		25497		24141		23005		21681		19384		-		-		
		26.0	3.04	26.0	3.09	26.0	3.10	26.0	3.11	26.0	3.15	26.0	3.16	25.0	3.12	-	-	-	-	
5	600	6762	29178		27255		26794		25527		24488		23387		21221		17224		-	
			27.0	3.45	28.0	3.51	28.0	3.52	28.0	3.53	28.0	3.56	28.0	3.61	27.0	3.56	26.0	3.57	-	-
	625	7044	30393		28547		28086		26867		25953		24908		23001		19342		-	
			29.0	3.90	29.0	3.96	29.0	3.98	29.0	3.99	30.0	4.01	30.0	4.06	29.0	4.05	28.0	4.00	-	-
	645	7269	31366		29577		29130		27931		27113		26100		24387		20935		-	
			30.0	4.28	31.0	4.35	31.0	4.37	31.0	4.38	31.0	4.39	31.0	4.44	31.0	4.46	30.0	4.39	-	-
665	7495	32338		30604		30170		28989		28227		27281		25753		22461		18633		
		32.0	4.70	32.0	4.76	32.0	4.78	32.0	4.80	32.0	4.80	32.0	4.85	33.0	4.91	32.0	4.82	31.0	4.92	
683	7697	33214		31525		31102		29936		29194		28334		26900		23788		20347		
		33.0	5.09	33.0	5.16	33.0	5.17	34.0	5.20	34.0	5.20	34.0	5.23	34.0	5.31	33.0	5.24	33.0	5.22	

Performance shown is for installation type A: free inlet, free outlet. Power rating (BHP) does not include drive losses. The sound ratings shown are for loudness values in fan sones at 5'0" (1.5m) in a hemispherical free field per AMCA Standard 301. Values shown are for installation type A: free inlet sone levels. Performance ratings do not include the effects of appurtenances in the airstream.

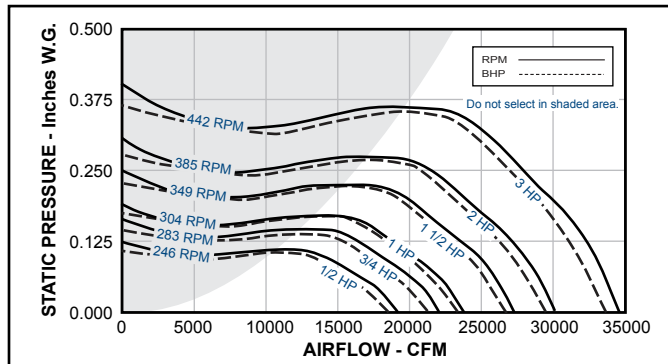
Dimensional Information & Performance Data

Breezeway Wall Mounted Propeller Fans | Belt Drive



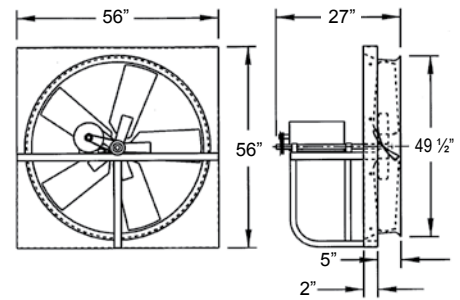
BHM48B

› BHM48B Belt Drive Fan Curves



› BHM48B Belt Drive Fan Dimensional Data

Galv. Steel Panel = 14 Gage
Galv. Steel Mtr. Plate = 12 Gage
Galv. Steel Structure = 12 Gage
Wall Opening = 57" SQ.
Max. Motor Frame Size = 215T
Peak BHP = (RPM/298) ³
Max. RPM = 450 (3 HP)
Est. Ship Weight = 235 lbs.



› BHM48B Belt Drive Fan Performance Data

HP	RPM	Tip Speed FPM	0.000" SP		0.100" SP		0.125" SP		0.200" SP		0.250" SP		0.300" SP	
			Sones	BHP	Sones	BHP	Sones	BHP	Sones	BHP	Sones	BHP	Sones	BHP
1/2	225	2882	17535	-	-	-	-	-	-	-	-	-	-	-
	246	3151	6.5 0.43	-	19171	13913	-	-	-	-	-	-	-	-
3/4	265	3395	7.6 0.56	8.7 0.55	20652	16061	14144	-	-	-	-	-	-	-
	283	3625	8.6 0.70	9.2 0.69	22055	17972	16473	-	-	-	-	-	-	-
1	295	3779	9.5 0.85	9.7 0.84	22990	19220	17819	-	-	-	-	-	-	-
	304	3894	10.2 0.96	10.1 0.95	23691	20174	18783	-	-	-	-	-	-	-
1 1/2	320	4099	10.7 1.05	10.4 1.04	24938	21854	20470	-	-	-	-	-	-	-
	335	4291	11.6 1.23	10.9 1.23	26107	23377	22037	17862	-	-	-	-	-	-
2	349	4471	12.6 1.41	11.5 1.42	27198	24641	23517	19805	14.9 1.37	-	-	-	-	-
	365	4676	13.5 1.59	12.2 1.61	28445	2607	225182	21638	15.6 1.56	-	-	-	-	-
3	375	4804	14.5 1.82	13.3 1.84	29225	26959	26178	22739	15.7 1.79	-	-	-	-	-
	385	4932	15.1 1.97	13.9 2.00	30004	27843	27082	23809	15.9 1.95	17.7 1.92	-	-	-	-
3	400	5124	15.7 2.13	14.6 2.16	31173	29161	28428	25394	16.2 2.11	18.1 2.09	-	-	-	-
	415	5316	16.8 2.39	15.7 2.42	32342	30470	29764	26955	16.7 2.36	18.3 2.35	-	-	-	-
	430	5508	17.9 2.67	16.7 2.71	33511	31737	31090	28539	17.2 2.64	18.5 2.64	20.0 2.61	-	-	-
	442	5662	19.0 2.97	17.9 3.01	34446	32720	32146	29804	19.9 2.95	19.0 2.93	20.0 2.92	25.929	-	-
			19.8 3.23	18.7 3.27					18.3 3.27	18.5 3.23	19.4 3.19	21.0 3.18		

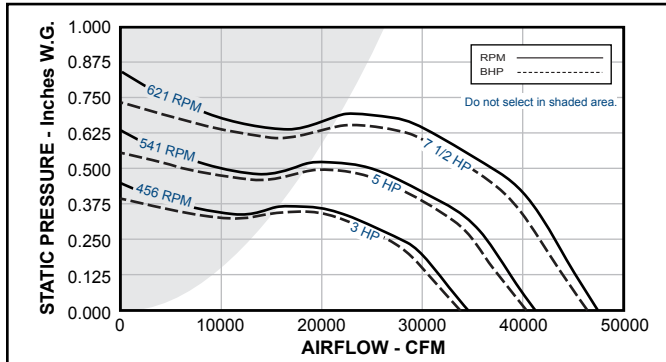
Performance shown is for installation type A: free inlet, free outlet. Power rating (BHP) does not include drive losses. The sound ratings shown are for loudness values in fan sones at 5'0" (1.5m) in a hemispherical free field per AMCA Standard 301. Values shown are for installation type A: free inlet sone levels. Performance ratings do not include the effects of appurtenances in the airstream.

Wall Mounted Propeller Fans

B
r
e
e
z
e
w
a
y

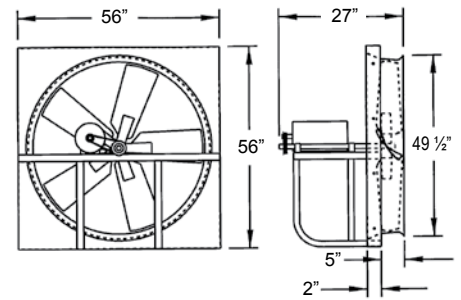
©PENN BARRY 2008

› BHH48B Belt Drive Fan Curves



› BHH48B Belt Drive Fan Dimensional Data

Galv. Steel Panel = 14 Gage
Galv. Steel Mtr. Plate = 12 Gage
Galv. Steel Structure = 12 Gage
Wall Opening = 57" SQ.
Max. Motor Frame Size = 215T
Peak BHP = (RPM/307) ³
Max. RPM = 624 (7 1/2 HP)
Est. Ship Weight = 255 lbs.



Wall Mounted Propeller Fans

› BHH48B Belt Drive Fan Performance Data

HP	RPM	Tip Speed FPM	0.000" SP		0.100" SP		0.125" SP		0.200" SP		0.250" SP		0.300" SP		0.375" SP		0.500" SP		0.625" SP	
			Sones	BHP	Sones	BHP	Sones	BHP	Sones	BHP	Sones	BHP	Sones	BHP	Sones	BHP	Sones	BHP	Sones	BHP
3	400	5124	30576	-	27854	-	27180	-	24367	-	20747	-	-	-	-	-	-	-	-	-
	420	5380	19.9	2.15	17.0	2.20	17.0	2.21	17.1	2.20	17.3	2.15	-	-	-	-	-	-	-	-
			32105	-	29500	-	28881	-	26638	-	23551	-	19909	-	-	-	-	-	-	-
	440	5636	33634	-	31136	-	30544	-	28614	-	26332	-	22985	-	-	-	-	-	-	-
19.4			2.87	19.7	2.91	19.8	2.93	20.0	2.92	20.0	2.92	21.0	2.86	-	-	-	-	-	-	-
456	5842	34857	-	32437	-	31866	-	30030	-	28331	-	25224	-	-	-	-	-	-	-	-
		20.0	3.19	21.0	3.23	21.0	3.25	21.0	3.26	21.0	3.26	22.0	3.16	-	-	-	-	-	-	-
5	475	6085	36309	-	33975	-	33427	-	31697	-	30349	-	27882	-	23178	-	-	-	-	-
			22.0	3.61	22.0	3.65	22.0	3.67	23.0	3.69	23.0	3.68	23.0	3.64	24.0	3.62	-	-	-	-
	495	6341	37838	-	35586	-	35061	-	33434	-	32263	-	30476	-	26131	-	-	-	-	-
			23.0	4.08	24.0	4.12	24.0	4.14	24.0	4.18	24.0	4.16	24.0	4.17	25.0	4.06	-	-	-	-
	515	6597	39367	-	37191	-	36685	-	35156	-	34031	-	32689	-	28930	-	-	-	-	-
			24.0	4.60	25.0	4.63	25.0	4.65	26.0	4.71	26.0	4.69	26.0	4.69	27.0	4.57	-	-	-	-
530	6789	40514	-	38397	-	37899	-	36426	-	35345	-	34248	-	31025	-	21858	-	-	-	
		25.0	5.01	26.0	5.05	26.0	5.07	27.0	5.13	27.0	5.12	27.0	5.10	28.0	5.05	32.0	5.05	-	-	
541	6930	41355	-	39281	-	38786	-	37344	-	36303	-	35232	-	32527	-	25495	-	-	-	
		26.0	5.33	27.0	5.36	27.0	5.38	28.0	5.45	28.0	5.45	28.0	5.43	29.0	5.43	31.0	5.34	-	-	
7 1/2	560	7174	42807	-	40803	-	40315	-	38921	-	37948	-	36913	-	34884	-	28531	-	-	
			27.0	5.91	28.0	5.95	28.0	5.96	29.0	6.03	29.0	6.05	30.0	6.03	30.0	6.04	32.0	6.51	-	-
	580	7430	44336	-	42401	-	41918	-	40572	-	39667	-	38668	-	36987	-	31355	-	-	
			29.0	6.57	29.0	6.60	30.0	6.61	31.0	6.69	31.0	6.73	31.0	6.71	32.0	6.69	34.0	6.51	-	-
	600	7686	45865	-	43995	-	43527	-	42214	-	41347	-	40408	-	38959	-	34154	-	27558	
			31.0	7.27	31.0	7.31	31.0	7.32	32.0	7.39	33.0	7.44	33.0	7.44	33.0	7.40	35.0	7.26	39.0	7.29
610	7814	46629	-	44790	-	44330	-	43032	-	42180	-	41273	-	39848	-	35549	-	29378		
		31.0	7.64	32.0	7.68	32.0	7.69	33.0	7.76	34.0	7.81	34.0	7.82	34.0	7.79	36.0	7.69	39.0	7.66	
621	7955	47470	-	45663	-	45211	-	43930	-	43093	-	42221	-	40821	-	37068	-	31169		
		32.0	8.06	33.0	8.10	33.0	8.11	34.0	8.18	35.0	8.23	35.0	8.25	35.0	8.22	37.0	8.19	40.0	8.07	

Performance shown is for installation type A: free inlet, free outlet. Power rating (BHP) does not include drive losses. The sound ratings shown are for loudness values in fan sones at 5'0" (1.5m) in a hemispherical free field per AMCA Standard 301. Values shown are for installation type A: free inlet sone levels. Performance ratings do not include the effects of appurtenances in the airstream.

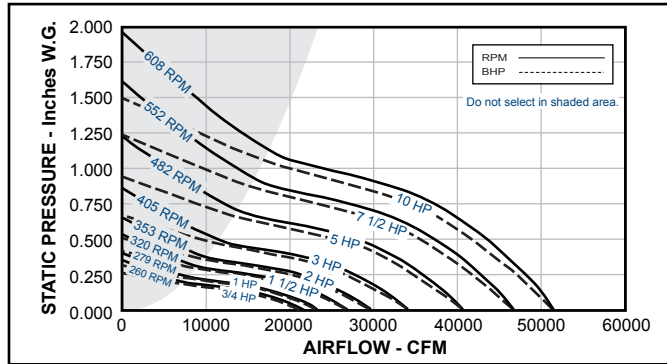
Dimensional Information & Performance Data

Breezeway Wall Mounted Propeller Fans | Belt Drive



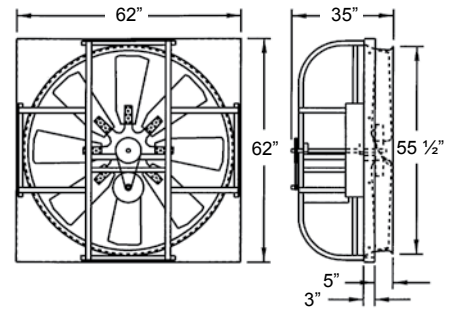
BHH54B

▶ BHH54B Belt Drive Fan Curves



▶ BHH54B Belt Drive Fan Dimensional Data

- Galv. Steel Panel = 14 Gage
- Galv. Steel Mtr. Plate = 10 Gage
- Galv. Steel Structure = 12 Gage
- Wall Opening = 63" SQ.
- Max. Motor Frame Size = 284T
- Peak BHP = $(RPM/273)^3$
- Max. RPM = 623 (10 HP)
- Est. Ship Weight = 430 lbs.

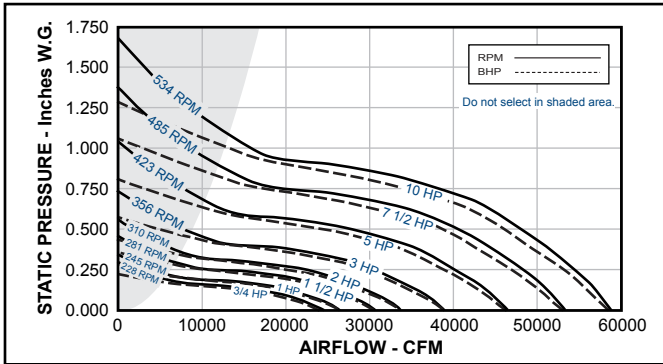


▶ BHH54B Belt Drive Fan Performance Data

HP	RPM	Tip Speed FPM	0.000" SP		0.125" SP		0.250" SP		0.375" SP		0.500" SP		0.625" SP		0.750" SP		0.875" SP		1.000" SP		
			Sones	BHP	Sones	BHP	Sones	BHP	Sones	BHP	Sones	BHP	Sones	BHP	Sones	BHP	Sones	BHP	Sones	BHP	
3/4	240	3458	20273	13846	-	-	-	-	-	-	-	-	-	-	-	-	-	-	-	-	
			9.4	0.62	9.3	0.67	-	-	-	-	-	-	-	-	-	-	-	-	-	-	-
			21963	16686	-	-	-	-	-	-	-	-	-	-	-	-	-	-	-	-	-
1	270	3891	22807	17862	-	-	-	-	-	-	-	-	-	-	-	-	-	-	-	-	
			11.5	0.88	11.4	0.95	-	-	-	-	-	-	-	-	-	-	-	-	-	-	-
			23568	18956	-	-	-	-	-	-	-	-	-	-	-	-	-	-	-	-	-
1 1/2	295	4251	24919	20748	9672	-	-	-	-	-	-	-	-	-	-	-	-	-	-		
			13.5	1.15	13.5	1.24	13.1	1.23	-	-	-	-	-	-	-	-	-	-	-	-	
			26186	22338	13544	-	-	-	-	-	-	-	-	-	-	-	-	-	-	-	
2	310	4467	14.7	1.33	14.7	1.44	14.3	1.45	-	-	-	-	-	-	-	-	-	-	-		
			27031	23335	15836	-	-	-	-	-	-	-	-	-	-	-	-	-	-	-	
			15.5	1.47	15.5	1.58	15.1	1.60	-	-	-	-	-	-	-	-	-	-	-		
3	335	4287	28298	24816	18801	-	-	-	-	-	-	-	-	-	-	-	-	-	-		
			16.8	1.68	16.7	1.80	16.4	1.83	-	-	-	-	-	-	-	-	-	-	-		
			29143	25794	20561	-	-	-	-	-	-	-	-	-	-	-	-	-	-		
5	370	5332	19.9	2.26	19.9	2.40	19.6	2.45	19.2	2.44	-	-	-	-	-	-	-	-			
			32522	29641	25647	17818	-	-	-	-	-	-	-	-	-	-	-	-			
			21.0	2.55	21.0	2.69	21.0	2.76	21.0	2.78	-	-	-	-	-	-	-				
7 1/2	425	6124	35901	33377	30180	25594	15735	-	-	-	-	-	-	-	-	-	-				
			24.0	3.43	24.0	3.59	26.0	3.71	25.0	3.73	24.0	3.70	-	-	-	-	-				
			37168	34763	31751	27673	19524	-	-	-	-	-	-	-	-	-	-				
10	500	7205	42236	40247	37655	34753	30842	23683	14887	-	-	-	-	-	-	-	-				
			31.0	5.59	32.0	5.80	33.0	5.94	33.0	6.05	33.0	6.06	32.0	6.09	31.0	6.08	-				
			43503	41580	39104	36372	32784	27069	17823	-	-	-	-	-	-						

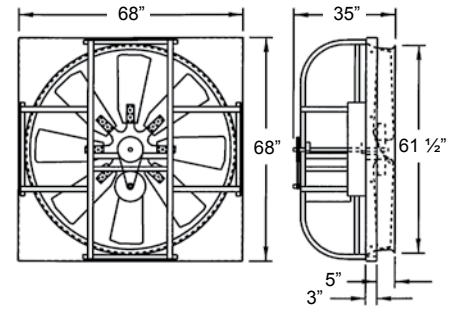
See notes on previous page.

› BHH60B Belt Drive Fan Curves



› BHH60B Belt Drive Fan Dimensional Data

Galv. Steel Panel = 14 Gage
Galv. Steel Mtr. Plate = 10 Gage
Galv. Steel Structure = 12 Gage
Wall Opening = 69" SQ.
Max. Motor Frame Size = 284T
Peak BHP = (RPM/240) ³
Max. RPM = 545 (10 HP)
Est. Ship Weight = 460 lbs.



Wall Mounted Propeller Fans

› BHH60B Belt Drive Fan Performance Data

HP	RPM	Tip Speed FPM	0.000" SP		0.125" SP		0.250" SP		0.375" SP		0.500" SP		0.625" SP		0.750" SP		0.875" SP		1.000" SP			
			Sones	BHP	Sones	BHP	Sones	BHP	Sones	BHP	Sones	BHP	Sones	BHP	Sones	BHP	Sones	BHP	Sones	BHP		
3/4	210	3356	22971	-	13646	-	-	-	-	-	-	-	-	-	-	-	-	-	-	-		
	228	3643	9.8	0.62	9.9	0.66	-	-	-	-	-	-	-	-	-	-	-	-	-	-		
			11.3	0.79	11.4	0.84	-	-	-	-	-	-	-	-	-	-	-	-	-	-	-	
1	235	3755	25706	-	19088	-	-	-	-	-	-	-	-	-	-	-	-	-	-	-		
	245	3915	26800	-	20709	-	-	-	-	-	-	-	-	-	-	-	-	-	-	-		
1 1/2	260	4155	28440	-	22938	-	7039	-	-	-	-	-	-	-	-	-	-	-	-	-		
	270	4315	14.2	1.17	14.3	1.24	14.4	1.26	-	-	-	-	-	-	-	-	-	-	-	-		
			29534	24360	8721	-	-	-	-	-	-	-	-	-	-	-	-	-	-	-	-	
2	281	4490	15.1	1.31	15.2	1.39	15.4	1.37	-	-	-	-	-	-	-	-	-	-	-	-		
	290	4634	30737	25903	13611	-	-	-	-	-	-	-	-	-	-	-	-	-	-	-	-	
			16.2	1.48	16.2	1.57	16.5	1.57	-	-	-	-	-	-	-	-	-	-	-	-	-	
			31722	27132	17165	-	-	-	-	-	-	-	-	-	-	-	-	-	-	-	-	-
3	300	4794	17.1	1.62	17.1	1.72	17.3	1.74	-	-	-	-	-	-	-	-	-	-	-	-		
	310	4954	32816	28483	20158	-	-	-	-	-	-	-	-	-	-	-	-	-	-	-	-	
			18.0	1.80	18.1	1.91	18.3	1.95	-	-	-	-	-	-	-	-	-	-	-	-	-	-
5	325	5194	33910	29822	22604	-	-	-	-	-	-	-	-	-	-	-	-	-	-	-		
	345	5513	19.1	1.98	19.1	2.10	19.3	2.14	-	-	-	-	-	-	-	-	-	-	-	-	-	
			31722	27132	17165	-	-	-	-	-	-	-	-	-	-	-	-	-	-	-	-	-
			17.1	1.62	17.1	1.72	17.3	1.74	-	-	-	-	-	-	-	-	-	-	-	-	-	-
7 1/2	370	5913	35551	31808	25787	9625	-	-	-	-	-	-	-	-	-	-	-	-	-	-		
	385	6152	20.0	2.28	21.0	2.42	21.0	2.43	20.0	2.41	-	-	-	-	-	-	-	-	-	-	-	
			36644	33118	27430	11830	-	-	-	-	-	-	-	-	-	-	-	-	-	-	-	-
	400	6392	21.0	2.50	22.0	2.65	22.0	2.66	21.0	2.59	-	-	-	-	-	-	-	-	-	-	-	
			37738	34366	29049	17018	-	-	-	-	-	-	-	-	-	-	-	-	-	-	-	-
	10	415	6632	23.0	2.73	23.0	2.88	23.0	2.90	22.0	2.91	-	-	-	-	-	-	-	-	-	-	
423		6760	38942	35715	30753	21343	-	-	-	-	-	-	-	-	-	-	-	-	-	-	-	
			24.0	3.00	24.0	3.16	25.0	3.18	24.0	3.21	-	-	-	-	-	-	-	-	-	-	-	-
			40473	37421	32769	25420	10303	-	-	-	-	-	-	-	-	-	-	-	-	-	-	-
10	440	7031	26.0	3.37	27.0	3.53	27.0	3.58	26.0	3.66	23.0	3.60	-	-	-	-	-	-	-	-		
	455	7271	42114	39237	34896	28868	13045	-	-	-	-	-	-	-	-	-	-	-	-	-	-	
			28.0	3.80	28.0	3.97	29.0	4.04	28.0	4.08	25.0	3.94	-	-	-	-	-	-	-	-	-	-
	465	7431	43755	41042	36989	31906	20298	-	-	-	-	-	-	-	-	-	-	-	-	-	-	
			29.0	4.26	29.0	4.44	30.0	4.53	30.0	4.53	28.0	4.53	-	-	-	-	-	-	-	-	-	-
	10	495	7910	45395	42837	39032	34361	25852	11718	-	-	-	-	-	-	-	-	-	-	-	-	
505		8070	30.0	4.75	30.0	4.94	31.0	5.05	32.0	5.05	30.0	5.10	28.0	5.07	-	-	-	-	-	-	-	
			43271	43790	40112	35652	28149	13036	-	-	-	-	-	-	-	-	-	-	-	-	-	-
			31.0	5.03	31.0	5.23	32.0	5.35	33.0	5.34	31.0	5.45	29.0	5.29	-	-	-	-	-	-	-	-
10	515	8230	48130	45809	42387	38243	32323	18846	-	-	-	-	-	-	-	-	-	-	-	-		
	525	8390	33.0	5.66	33.0	5.87	34.0	6.01	35.0	6.01	34.0	6.11	32.0	5.90	-	-	-	-	-	-	-	
			49771	47543	44373	40397	35623	25763	12895	-	-	-	-	-	-	-	-	-	-	-	-	
	530	8469	35.0	6.26	35.0	6.48	36.0	6.64	37.0	6.65	36.0	6.68	34.0	6.69	33.0	6.68	-	-	-	-	-	
			50865	48684	45690	41818	37356	29197	14568	-	-	-	-	-	-	-	-	-	-	-	-	-
	534	8533	36.0	6.69	36.0	6.91	38.0	7.08	38.0	7.11	38.0	7.11	36.0	7.19	34.0	7.01	-	-	-	-	-	

Breezeway

See notes on next page.

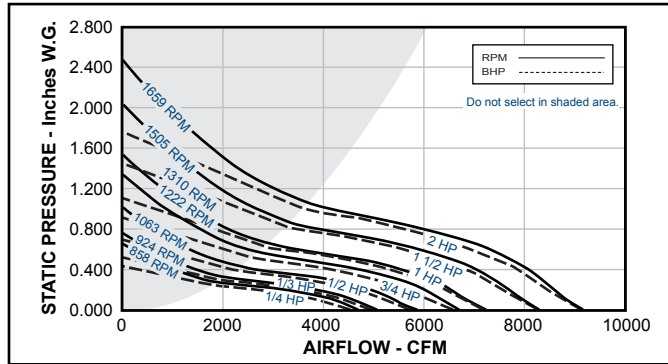
Dimensional Information & Performance Data

Breezeway Wall Mounted Propeller Fans | Belt Drive



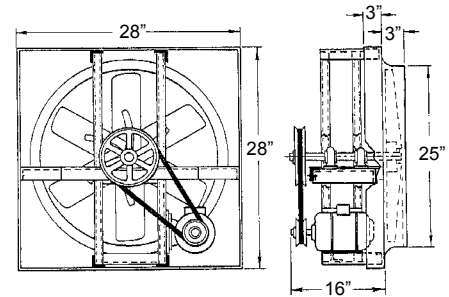
BCH24

BCH24 Belt Drive Fan Curves



BCH24 Belt Drive Fan Dimensional Data

Carbon Steel Panel = 16 Gage
Carbon Steel Mtr. Plate=10 Gage
Carbon Steel Tube = 16 Gage
Wall Opening = 28 3/4" SQ.
Wall Shutter ID = 28" SQ.
Max. Motor Frame Size = 145T
Peak BHP = (RPM/1108) ³
Max. RPM = 1659 (2 HP)
Est. Ship Weight = 100 lbs.



BCH24 Belt Drive Fan Performance Data

HP	RPM	Tip Speed FPM	0.000" SP		0.100" SP		0.125" SP		0.150" SP		0.200" SP		0.250" SP		0.375" SP		0.500" SP		0.625" SP		0.750" SP			
			Sones	BHP	Sones	BHP	Sones	BHP	Sones	BHP	Sones	BHP	Sones	BHP	Sones	BHP	Sones	BHP	Sones	BHP	Sones	BHP	Sones	BHP
1/4	515	3236	2851	-	-	-	-	-	-	-	-	-	-	-	-	-	-	-	-	-	-	-	-	
			5.6	0.06	-	-	-	-	-	-	-	-	-	-	-	-	-	-	-	-	-	-	-	
	635	3990	3516	2617	2075	-	-	-	-	-	-	-	-	-	-	-	-	-	-	-	-	-	-	
			8.3	0.11	8.0	0.12	8.1	0.12	-	-	-	-	-	-	-	-	-	-	-	-	-	-	-	
1/3	800	5027	4429	3851	3636	3402	2586	-	-	-	-	-	-	-	-	-	-	-	-	-	-	-	-	
			12.5	0.22	12.2	0.24	12.2	0.24	12.1	0.25	12.2	0.24	-	-	-	-	-	-	-	-	-	-	-	-
	858	5391	4751	4210	4059	3845	3295	2446	-	-	-	-	-	-	-	-	-	-	-	-	-	-	-	-
			13.7	0.28	13.4	0.29	13.3	0.30	13.3	0.30	13.3	0.30	13.7	0.29	-	-	-	-	-	-	-	-	-	-
1/2	870	5466	4817	4284	4145	3935	3434	2595	-	-	-	-	-	-	-	-	-	-	-	-	-	-	-	
			14.0	0.29	13.7	0.31	13.6	0.31	13.6	0.31	13.6	0.31	13.9	0.31	-	-	-	-	-	-	-	-	-	-
	910	5718	5039	4528	4403	4231	3809	3086	-	-	-	-	-	-	-	-	-	-	-	-	-	-	-	
			15.0	0.33	14.7	0.35	14.7	0.35	14.6	0.35	14.6	0.36	14.8	0.35	-	-	-	-	-	-	-	-	-	-
3/4	924	5806	5116	4612	4489	4332	3930	3261	-	-	-	-	-	-	-	-	-	-	-	-	-	-	-	
			15.4	0.34	15.1	0.37	15.0	0.37	14.9	0.37	15.0	0.38	15.1	0.37	-	-	-	-	-	-	-	-	-	-
	930	5843	5149	4649	4526	4376	3977	3335	-	-	-	-	-	-	-	-	-	-	-	-	-	-	-	
			15.6	0.50	15.2	0.37	15.2	0.37	15.1	0.38	15.1	0.38	15.3	0.37	-	-	-	-	-	-	-	-	-	-
1	1000	6283	5537	5065	4956	4842	4510	4102	-	-	-	-	-	-	-	-	-	-	-	-	-	-	-	
			16.9	0.44	16.7	0.46	16.6	0.46	16.6	0.46	16.4	0.47	16.6	0.48	-	-	-	-	-	-	-	-	-	-
	1063	6679	5886	5434	5338	5231	4974	4625	3147	-	-	-	-	-	-	-	-	-	-	-	-	-	-	
			18.2	0.52	18.0	0.55	17.9	0.56	17.9	0.56	17.8	0.56	17.9	0.57	18.5	0.56	-	-	-	-	-	-	-	-
1 1/2	1070	6723	5924	5475	5379	5274	5025	4679	3233	-	-	-	-	-	-	-	-	-	-	-	-	-	-	
			18.4	0.53	18.2	0.56	18.1	0.57	18.1	0.57	18.0	0.57	18.0	0.58	18.7	0.57	-	-	-	-	-	-	-	-
	1160	7288	6423	5998	5909	5820	5624	5355	4337	2659	-	-	-	-	-	-	-	-	-	-	-	-	-	
			21.0	0.68	21.0	0.71	21.0	0.72	21.0	0.73	20.0	0.73	20.0	0.74	21.0	0.73	22.0	0.75	-	-	-	-	-	-
2	1200	7540	6644	6228	6143	6057	5871	5645	4800	3265	-	-	-	-	-	-	-	-	-	-	-	-	-	
			22.0	0.75	22.0	0.78	22.0	0.79	22.0	0.80	22.0	0.80	22.0	0.81	22.0	0.83	23.0	0.81	-	-	-	-	-	-
	1222	7678	6766	6335	6271	6187	6007	5802	5000	3566	-	-	-	-	-	-	-	-	-	-	-	-	-	
			23.0	0.79	22.0	0.83	22.0	0.84	22.0	0.84	22.0	0.85	22.0	0.85	23.0	0.87	23.0	0.85	-	-	-	-	-	-
2 1/2	1230	7728	6810	6401	6318	6234	6056	5860	5072	3665	-	-	-	-	-	-	-	-	-	-	-	-	-	
			23.0	0.81	22.0	0.84	22.0	0.85	22.0	0.86	22.0	0.86	22.0	0.87	23.0	0.89	23.0	0.86	-	-	-	-	-	-
	1250	7854	6921	6516	6434	6352	6178	5996	5250	3909	-	-	-	-	-	-	-	-	-	-	-	-	-	
			23.0	0.85	23.0	0.88	23.0	0.89	23.0	0.90	23.0	0.91	23.0	0.91	23.0	0.93	24.0	0.91	-	-	-	-	-	-
3	1290	8105	7143	6745	6666	6586	6422	6245	5573	4403	-	-	-	-	-	-	-	-	-	-	-	-	-	
			24.0	0.93	24.0	0.97	24.0	0.98	24.0	0.94	24.0	1.00	24.0	1.00	24.0	1.02	25.0	1.00	-	-	-	-	-	-
	1310	8231	7253	6859	6781	6703	6543	6369	5727	4652	3173	-	-	-	-	-	-	-	-	-	-	-	-	
			25.0	0.98	24.0	1.01	24.0	1.02	25.0	1.03	25.0	1.04	25.0	1.04	25.0	1.07	26.0	1.04	26.0	1.04	26.0	1.07	-	-
3 1/2	1320	8294	7309	6917	6839	6761	6603	6431	5803	4746	3325	-	-	-	-	-	-	-	-	-	-	-	-	
			25.0	1.00	25.0	1.04	25.0	1.05	25.0	1.05	25.0	1.07	25.0	1.07	25.0	1.09	26.0	1.07	27.0	1.09	-	-	-	-
	1370	8608	7586	7202	7127	7052	6902	6739	6181	5365	4034	-	-	-	-	-	-	-	-	-	-	-	-	
			27.0	1.12	27.0	1.16	27.0	1.17	27.0	1.17	27.0	1.19	27.0	1.19	27.0	1.22	27.0	1.22	28.0	1.19	-	-	-	-
4	1450	9111	8029	7660	7586	7515	7373	7227	6771	6122	5020	3703	-	-	-	-	-	-	-	-	-	-	-	
			31.0	1.33	31.0	1.37	31.0	1.38	31.0	1.39	31.0	1.40	31.0	1.42	31.0	1.43	31.0	1.46	31.0	1.42	31.0	1.42	32.0	1.44
	1505	9456	8333	7978	7900	7831	7695	7559	7166	6554	5887	4471	-	-	-	-	-	-	-	-	-	-	-	
			33.0	1.48	33.0	1.52	33.0	1.53	33.0	1.55	33.0	1.56	33.0	1.58	33.0	1.59	33.0	1.62	34.0	1.60	34.0	1.60	35.0	1.58
4 1/2	1520	9550	8416	8064	7985	7918	7783	7648	7273	6669	5862	4655	-	-	-	-	-	-	-	-	-	-	-	
			34.0	1.53	34.0	1.57	34.0	1.58	34.0	1.59	34.0	1.61	34.0	1.63	34.0	1.63	34.0	1.67	34.0	1.66	34.0	1.66	35.0	1.63
	1550	9739	8582	8237	8156	8090	7957	7825	7463	6897	6205	5018	-	-	-	-	-	-	-	-	-	-	-	
			34.0	1.62	34.0	1.66	34.0	1.67	34.0	1.68	34.0	1.70	34.0	1.72	34.0	1.73	34.0	1.77	35.0	1.78	35.0	1.78	35.0	1.73
5	1600	10053	8859	8525	8441	8376	8248	8119	7774	7272	6656	5643	-	-	-	-	-	-	-	-	-	-	-	
			35.0	1.78	35.0	1.83	35.0	1.84	35.0	1.85	35.0	1.87	35.0	1.89	35.0	1.90	35.0	1.94	35.0	1.96	35.0	1.96	36.0	1.90
	1659	10424	9186	8864	8783	8713	8589	8465	8137	7708	7146	6351	-	-	-	-	-	-	-	-	-	-	-	
			37.0	1.99	37.0	2.03	37.0	2.04	37.0	2.05	37.0	2.08	37.0	2.10	37.0	2.12	37.0	2.15	37.0	2.18	37.0	2.18	37.0	2.15

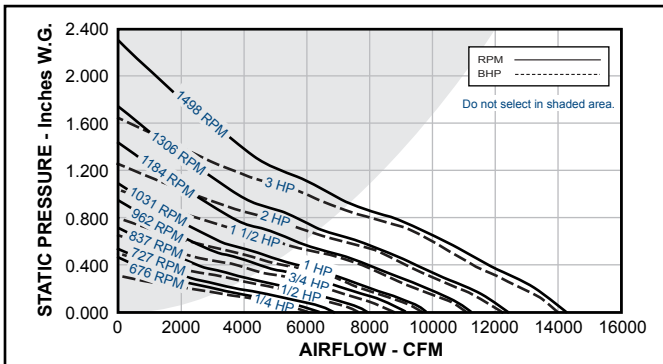
Performance shown is for installation type A: free inlet, free outlet. Power rating (BHP) does not include drive losses. The sound ratings shown are for loudness values in fan sones at 5'0" (1.5m) in a hemispherical free field per AMCA Standard 301. Values shown are for installation type A: free inlet sone levels. Performance ratings do not include the effects of appurtenances in the airstream.

Wall Mounted Propeller Fans

Breezeway

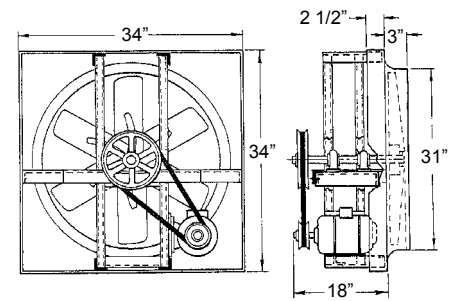
©PENNBARRY 2008

› BCH30 Belt Drive Fan Curves



› BCH30 Belt Drive Fan Dimensional Data

Carbon Steel Panel = 16 Gage
Carbon Steel Mtr. Plate=10 Gage
Carbon Steel Tube = 16 Gage
Wall Opening = 3 3/4" SQ.
Wall Shutter ID = 34" SQ.
Max. Motor Frame Size = 145T
Peak BHP = (RPM/877) ³
Max. RPM = 1498 (3 HP)
Est. Ship Weight = 165 lbs.



Wall Mounted Propeller Fans

› BCH30 Belt Drive Fan Performance Data

HP	RPM	Tip Speed FPM	0.000" SP		0.100" SP		0.125" SP		0.150" SP		0.200" SP		0.250" SP		0.375" SP		0.500" SP		0.625" SP		0.750" SP			
			Sones	BHP	Sones	BHP	Sones	BHP	Sones	BHP	Sones	BHP	Sones	BHP	Sones	BHP	Sones	BHP	Sones	BHP	Sones	BHP	Sones	BHP
1/4	410	3220	3891	-	-	-	-	-	-	-	-	-	-	-	-	-	-	-	-	-	-	-	-	
			5.9	0.07	-	-	-	-	-	-	-	-	-	-	-	-	-	-	-	-	-	-	-	-
	480	3770	4555	-	-	-	-	-	-	-	-	-	-	-	-	-	-	-	-	-	-	-	-	-
			7.7	0.10	-	-	-	-	-	-	-	-	-	-	-	-	-	-	-	-	-	-	-	-
	1/3	620	4869	5884	4335	3853	324	-	-	-	-	-	-	-	-	-	-	-	-	-	-	-	-	-
12.0				0.23	13.0	0.23	13.9	0.22	13.4	0.23	-	-	-	-	-	-	-	-	-	-	-	-	-	-
676		5309	6415	5035	4625	4171	-	-	-	-	-	-	-	-	-	-	-	-	-	-	-	-	-	
			13.9	0.29	14.6	0.30	15.2	0.29	16.2	0.29	-	-	-	-	-	-	-	-	-	-	-	-	-	-
1		680	5341	6543	5083	4676	4233	-	-	-	-	-	-	-	-	-	-	-	-	-	-	-	-	-
	14.0			0.30	14.8	0.30	15.3	0.30	16.3	0.29	-	-	-	-	-	-	-	-	-	-	-	-	-	-
	727	5710	6899	5637	5276	4886	3951	-	-	-	-	-	-	-	-	-	-	-	-	-	-	-	-	
15.7			0.36	16.3	0.37	16.8	0.37	17.5	0.36	17.8	0.37	-	-	-	-	-	-	-	-	-	-	-	-	
1/2	730	5733	6927	5672	5314	4926	4005	-	-	-	-	-	-	-	-	-	-	-	-	-	-	-	-	
			15.8	0.37	16.4	0.38	16.9	0.37	17.6	0.37	18.0	0.38	-	-	-	-	-	-	-	-	-	-	-	-
	837	6574	7943	6957	6583	6275	5609	4817	-	-	-	-	-	-	-	-	-	-	-	-	-	-	-	
20.0			0.55	20.0	0.57	21.0	0.57	21.0	0.57	22.0	0.55	23.0	0.56	-	-	-	-	-	-	-	-	-	-	
3/4	840	6597	7971	6993	6618	6310	5649	4865	-	-	-	-	-	-	-	-	-	-	-	-	-	-	-	
			20.0	0.56	20.0	0.58	21.0	0.58	21.0	0.57	22.0	0.56	23.0	0.57	-	-	-	-	-	-	-	-	-	-
	982	7556	9129	8335	8089	7753	7192	6618	4798	-	-	-	-	-	-	-	-	-	-	-	-	-	-	
26.0			0.84	26.0	0.86	26.0	0.87	26.0	0.87	27.0	0.86	28.0	0.85	29.0	0.87	-	-	-	-	-	-	-	-	
1	970	7618	9205	8421	8177	7851	7287	6721	4946	-	-	-	-	-	-	-	-	-	-	-	-	-	-	
			26.0	0.86	26.0	0.88	26.0	0.89	26.0	0.89	27.0	0.88	28.0	0.87	29.0	0.89	-	-	-	-	-	-	-	-
	990	7775	9395	8634	8395	8096	7525	6978	5311	-	-	-	-	-	-	-	-	-	-	-	-	-	-	
			27.0	0.92	27.0	0.94	27.0	0.95	27.0	0.95	28.0	0.94	29.0	0.93	30.0	0.94	-	-	-	-	-	-	-	-
	1010	7933	9585	8847	8613	8339	7760	7233	5655	-	-	-	-	-	-	-	-	-	-	-	-	-	-	-
28.0			0.97	28.0	0.99	28.0	1.00	28.0	1.01	29.0	1.00	30.0	0.99	32.0	0.99	-	-	-	-	-	-	-	-	-
1031	8097	9784	9069	8840	8592	8006	7498	5994	-	-	-	-	-	-	-	-	-	-	-	-	-	-	-	
		29.0	1.04	29.0	1.06	29.0	1.07	29.0	1.07	30.0	1.07	31.0	1.05	33.0	1.04	-	-	-	-	-	-	-	-	
1 1/2	1040	8168	9869	9164	8937	8700	8110	7611	6138	-	-	-	-	-	-	-	-	-	-	-	-	-	-	
			30.0	1.06	30.0	1.08	30.0	1.09	30.0	1.10	30.0	1.10	31.0	1.08	34.0	1.07	-	-	-	-	-	-	-	-
	1095	8600	10391	9739	9527	9311	8757	8272	6986	-	-	-	-	-	-	-	-	-	-	-	-	-	-	
			33.0	1.24	32.0	1.26	32.0	1.27	32.0	1.28	32.0	1.28	33.0	1.27	37.0	1.23	-	-	-	-	-	-	-	-
	1140	8954	10819	10204	10005	9798	9310	8803	7598	6076	-	-	-	-	-	-	-	-	-	-	-	-	-	
			35.0	1.40	35.0	1.42	35.0	1.43	35.0	1.44	35.0	1.45	36.0	1.44	39.0	1.40	39.0	1.44	-	-	-	-	-	-
1184	9299	11236	10658	10469	10270	9843	9314	8180	6817	-	-	-	-	-	-	-	-	-	-	-	-	-		
		38.0	1.57	38.0	1.58	38.0	1.60	38.0	1.61	37.0	1.62	38.0	1.62	41.0	1.58	43.0	1.59	-	-	-	-	-	-	
2	1190	9346	11293	10719	10532	10335	9915	9383	8258	6913	-	-	-	-	-	-	-	-	-	-	-	-		
			38.0	1.59	38.0	1.61	38.0	1.62	38.0	1.63	38.0	1.65	38.0	1.65	41.0	1.60	44.0	1.61	-	-	-	-	-	
	1250	9817	11862	11333	11155	10973	10595	10108	9023	7862	6343	-	-	-	-	-	-	-	-	-	-	-		
			42.0	1.85	41.0	1.85	41.0	1.87	41.0	1.88	41.0	1.91	41.0	1.91	44.0	1.87	48.0	1.82	46.0	1.91	-	-	-	
	1306	10257	12394	11904	11733	11563	11202	10791	9713	8634	7334	-	-	-	-	-	-	-	-	-	-	-	-	
45.0			2.11	45.0	2.11	45.0	2.13	45.0	2.14	44.0	2.17	44.0	2.18	47.0	2.15	50.0	2.10	51.0	2.14	-	-	-	-	
3	1315	10328	12479	11995	11826	11656	11299	10899	9821	8755	7480	-	-	-	-	-	-	-	-	-	-	-		
			46.0	2.15	45.0	2.15	45.0	2.17	45.0	2.18	45.0	2.21	45.0	2.23	47.0	2.20	51.0	2.15	52.0	2.18	-	-	-	
	1360	10681	12906	12441	12287	12124	11783	11435	10356	9353	8200	6777	-	-	-	-	-	-	-	-	-	-		
			48.0	2.38	48.0	2.38	48.0	2.39	48.0	2.41	48.0	2.44	48.0	2.46	50.0	2.44	53.0	2.39	57.0	2.38	54.0	2.46	-	
	1420	11153	13476	13030	12900	12743	12423	12090	11058	10123	9106	7861	-	-	-	-	-	-	-	-	-	-		
			52.0	2.71	52.0	2.71	52.0	2.72	52.0	2.73	52.0	2.77	52.0	2.79	53.0	2.79	56.0	2.74	60.0	2.68	60.0	2.76	-	
	1460	11467	13855	13422	13307	13155	12846	12523	11522	10629	9651	8508	-	-	-	-	-	-	-	-	-	-		
55.0			2.94	54.0	2.94	54.0	2.95	54.0	2.97	54.0	3.00	54.0	3.03	55.0	3.04	58.0	2.99	62.0	2.93	64.0	2.96	-		
1498	11765	14216	13793	13687	13544	13247	12932	11975	11096	10161	9113	-	-	-	-	-	-	-	-	-	-			
		57.0	3.18	57.0	3.18	57.0	3.20	57.0	3.23	57.0	3.26	57.0	3.29	60.0	3.24	60.0	3.24	64.0	3.19	68.0	3.17	-		

Performance shown is for installation type A: free inlet, free outlet. Power rating (BHP) does not include drive losses. The sound ratings shown are for loudness values in fan sones at 5'0" (1.5m) in a hemispherical free field per AMCA Standard 301. Values shown are for installation type A: free inlet sone levels. Performance ratings do not include the effects of appurtenances in the airstream.

Breezeway

Dimensional Information & Performance Data

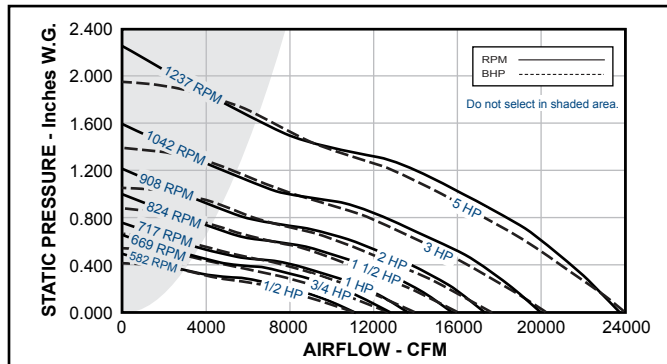
Breezeway Wall Mounted Propeller Fans | Belt Drive



Wall Mounted Propeller Fans

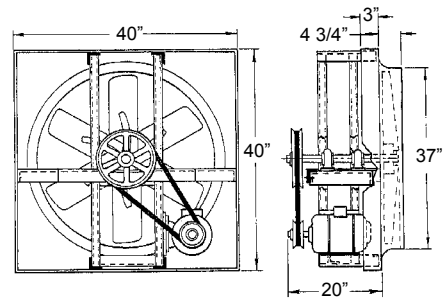
BCH36

BCH36 Belt Drive Fan Curves



BCH36 Belt Drive Fan Dimensional Data

Carbon Steel Panel = 16 Gage
Carbon Steel Mtr. Plate=10 Gage
Carbon Steel Tube = 16 Gage
Wall Opening = 40 3/4" SQ.
Wall Shutter ID = 40" SQ.
Max. Motor Frame Size = 184T
Peak BHP = (RPM/676) ³
Max. RPM = 1237 (5 HP)
Est. Ship Weight = 195 lbs.

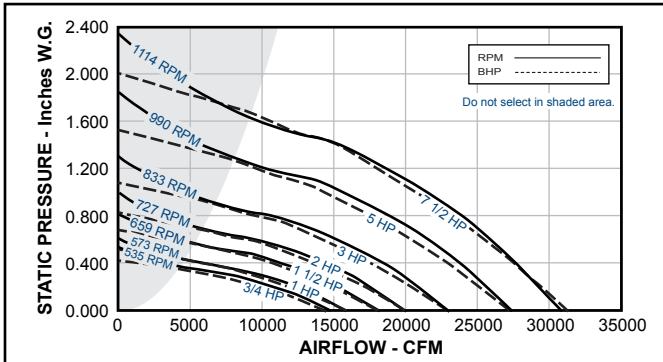


BCH36 Belt Drive Fan Performance Data

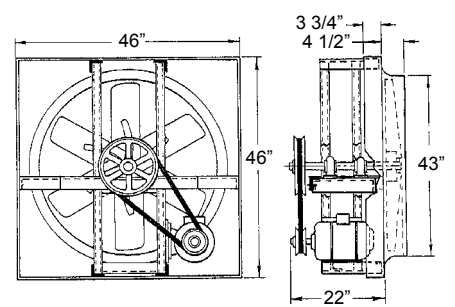
HP	RPM	Tip Speed FPM	0.000" SP		0.100" SP		0.125" SP		0.200" SP		0.250" SP		0.375" SP		0.500" SP		0.625" SP		0.750" SP		1.000" SP		
			Sones	BHP	Sones	BHP	Sones	BHP	Sones	BHP	Sones	BHP	Sones	BHP	Sones	BHP	Sones	BHP	Sones	BHP	Sones	BHP	
1/2	370	3487	7092	4515	2979	-	-	-	-	-	-	-	-	-	-	-	-	-	-	-	-	-	
	470	4430	9009	7349	6728	3907	-	-	-	-	-	-	-	-	-	-	-	-	-	-	-	-	
		582	5485	11156	9923	9564	8148	7038	-	-	-	-	-	-	-	-	-	-	-	-	-	-	-
3/4	590	5561	11310	10099	9744	8381	7303	-	-	-	-	-	-	-	-	-	-	-	-	-	-	-	
	669	6305	12824	11791	11496	10499	9638	6917	-	-	-	-	-	-	-	-	-	-	-	-	-	-	
1	680	6409	13035	12021	11736	10764	9950	7415	-	-	-	-	-	-	-	-	-	-	-	-	-	-	
	717	6758	13744	12790	12533	11648	10982	8759	4743	-	-	-	-	-	-	-	-	-	-	-	-	-	
1 1/2	720	6786	13802	12852	12596	11719	11055	8859	4855	-	-	-	-	-	-	-	-	-	-	-	-	-	
	740	6974	14185	13265	13016	12184	11544	9478	5959	-	-	-	-	-	-	-	-	-	-	-	-	-	
		770	7257	14760	13882	13643	12858	12269	10361	7869	4152	-	-	-	-	-	-	-	-	-	-	-	-
	800	7540	15336	14496	14266	13525	12985	11246	9137	5242	-	-	-	-	-	-	-	-	-	-	-	-	-
		824	7766	15796	14986	14762	14054	13546	11936	9984	6433	-	-	-	-	-	-	-	-	-	-	-	-
2	830	7823	15911	15108	14886	14186	13682	12106	10184	6847	-	-	-	-	-	-	-	-	-	-	-	-	
	850	8011	16294	15514	15297	14624	14132	12670	10811	8236	4773	-	-	-	-	-	-	-	-	-	-	-	-
		880	8294	16869	16120	15913	15277	14801	13495	11692	9655	5879	-	-	-	-	-	-	-	-	-	-	-
	908	8558	17406	16680	16485	15876	15421	14180	12523	10718	7416	-	-	-	-	-	-	-	-	-	-	-	
3	920	8671	17636	16919	16729	16128	15686	14471	12876	11120	8248	-	-	-	-	-	-	-	-	-	-	-	
	940	8859	18019	17318	17136	16548	16124	14954	13456	11780	9493	-	-	-	-	-	-	-	-	-	-	-	-
		970	9142	18594	17915	17744	17174	16779	15670	14307	12667	10811	5115	-	-	-	-	-	-	-	-	-	-
	1000	9425	19170	18510	18346	17798	17430	16380	15146	13552	11921	6181	-	-	-	-	-	-	-	-	-	-	-
		1042	9821	19975	19342	19184	18667	18313	17329	16216	14787	13270	8122	-	-	-	-	-	-	-	-	-	-
5	1050	9896	20128	19500	19343	18832	18481	17508	16411	15017	13506	8670	-	-	-	-	-	-	-	-	-	-	
	1070	10085	20511	19895	19741	19244	18899	17955	16896	15586	14094	10059	-	-	-	-	-	-	-	-	-	-	-
		1100	10367	21087	20487	20338	19860	19524	18621	17616	16431	14981	11650	-	-	-	-	-	-	-	-	-	-
	1150	10838	22045	21472	21329	20881	20561	19721	18804	17764	16444	13607	-	-	-	-	-	-	-	-	-	-	-
		1237	11658	23713	23180	23047	22647	22350	21605	20765	19867	1889	16317	-	-	-	-	-	-	-	-	-	-
			40.0 4.83	39.0 4.94	39.0 4.97	38.0 5.05	38.0 5.10	36.0 5.23	35.0 5.33	33.0 5.41	32.0 5.48	31.0 5.48	-	-	-	-	-	-	-	-	-	-	

Performance shown is for installation type A: free inlet, free outlet. Power rating (BHP) does not include drive losses. The sound ratings shown are for loudness values in fan sonos at 50' (1.5m) in a hemispherical free field per AMCA Standard 301. Values shown are for installation type A: free inlet sone levels. Performance ratings do not include the effects of appurtenances in the airstream.

©PENNBARRY 2018

› BCH42 Belt Drive Fan Curves

› BCH42 Belt Drive Fan Dimensional Data

Carbon Steel Panel = 16 Gage
Carbon Steel Mtr. Plate=10 Gage
Carbon Steel Tube = 16 Gage
Wall Opening = 46 3/4" SQ.
Wall Shutter ID = 46" SQ.
Max. Motor Frame Size = 184T
Peak BHP = (RPM/676) ³
Max. RPM = 1114 (7 1/2 HP)
Est. Ship Weight = 215 lbs.


› BCH42 Belt Drive Fan Performance Data

HP	RPM	Tip Speed FPM	0.000" SP		0.100" SP		0.125" SP		0.200" SP		0.250" SP		0.375" SP		0.500" SP		0.625" SP		0.750" SP		1.000" SP	
			Sones	BHP	Sones	BHP	Sones	BHP	Sones	BHP	Sones	BHP	Sones	BHP	Sones	BHP	Sones	BHP	Sones	BHP	Sones	BHP
3/4	460	5058	12749		10762		10220		7903		5659	-	-	-	-	-	-	-	-	-	-	-
			12.8	0.51	12.2	0.54	12.0	0.55	11.5	0.55	11.5	0.53	-	-	-	-	-	-	-	-	-	-
1	535	5883	14828		13175		12709		11145		9817	4583	-	-	-	-	-	-	-	-	-	-
			16.9	0.80	16.4	0.84	16.2	0.85	15.7	0.87	15.3	0.86	15.3	0.81	-	-	-	-	-	-	-	-
1 1/2	540	5938	14967		13333		12871		11341		10051	4956	-	-	-	-	-	-	-	-	-	-
			17.2	0.82	16.6	0.86	16.5	0.87	16.0	0.89	15.6	0.89	15.6	0.83	-	-	-	-	-	-	-	-
2	565	6212	15660		14114		13676		12307		11143	7102	-	-	-	-	-	-	-	-	-	-
			18.3	0.94	17.8	0.98	17.7	0.99	17.2	1.02	16.8	1.02	16.9	0.98	-	-	-	-	-	-	-	-
3	573	6300	15881		14357		13932		12613		11464	7869	-	-	-	-	-	-	-	-	-	-
			18.7	0.98	18.2	1.02	18.1	1.03	17.6	1.06	17.2	1.06	17.2	1.03	-	-	-	-	-	-	-	-
4	580	6377	16075		14570		14155		12864		11744	8249	-	-	-	-	-	-	-	-	-	-
			19.0	1.02	18.6	1.06	18.4	1.07	17.9	1.10	17.5	1.10	17.5	1.07	-	-	-	-	-	-	-	-
5	659	7246	18265		16940		16609		15498		14740	8897	8897	-	-	-	-	-	-	-	-	-
			23.0	1.49	23.0	1.54	23.0	1.5	22.0	1.59	22.0	1.61	21.0	1.62	22.0	1.56	-	-	-	-	-	-
6	670	7367	18570		17267		16941		15857		15112	12710	9540	-	-	-	-	-	-	-	-	-
			23.0	1.57	23.0	1.62	23.0	1.63	23.0	1.66	22.0	1.69	21.0	1.70	23.0	1.65	-	-	-	-	-	-
7	700	7697	19401		18154		17842		16828		16115	13970	11132	6610	-	-	-	-	-	-	-	-
			25.0	1.79	25.0	1.84	25.0	1.86	24.0	1.89	24.0	1.91	23.0	1.94	23.0	1.91	28.0	1.82	-	-	-	-
8	727	7994	20150		18949		18648		17693		17006	15042	12481	8914	-	-	-	-	-	-	-	-
			25.0	2.01	24.0	2.06	24.0	2.07	24.0	2.11	23.0	2.13	23.0	2.17	22.0	2.16	24.0	2.21	-	-	-	-
9	740	8137	20510		19330		19035		18107		17432	15552	13101	10174	-	-	-	-	-	-	-	-
			24.0	2.11	24.0	2.17	24.0	2.18	23.0	2.22	23.0	2.25	23.0	2.29	22.0	2.28	23.0	2.21	-	-	-	-
10	760	8357	21064		19915		19628		18740		18083	16328	14043	11251	-	-	-	-	-	-	-	-
			25.0	2.29	24.0	2.35	24.0	2.36	24.0	2.40	24.0	2.43	23.0	2.48	23.0	2.48	23.0	2.42	23.0	2.42	-	-
11	790	8687	21896		20791		20514		19683		19051	17472	15393	12830	9083	-	-	-	-	-	-	-
			26.0	2.57	26.0	2.63	26.0	2.65	25.0	2.69	25.0	2.71	24.0	2.78	23.0	2.79	23.0	2.75	24.0	2.66	-	-
12	833	9159	23088		22039		21777		20991		20423	18925	17114	14915	12350	-	-	-	-	-	-	-
			29.0	3.02	28.0	3.08	28.0	3.09	27.0	3.14	27.0	3.17	26.0	3.23	24.0	3.27	24.0	3.25	24.0	3.19	-	-
13	840	9236	23282		22242		21982		21203		20645	19160	17390	15245	12722	-	-	-	-	-	-	-
			30.0	3.09	29.0	3.16	29.0	3.17	28.0	3.22	27.0	3.25	26.0	3.31	25.0	3.35	24.0	3.34	24.0	3.28	-	-
14	880	9676	24391		23398		23150		22406		21905	20487	18948	17078	14785	7958	-	-	-	-	-	-
			32.0	3.56	31.0	3.62	31.0	3.64	30.0	3.69	29.0	3.72	28.0	3.79	27.0	3.84	26.0	3.86	25.0	3.82	24.0	3.60
15	900	9896	24945		23975		23732		23004		22519	21144	19714	17887	15745	9429	-	-	-	-	-	-
			33.0	3.80	32.0	3.87	32.0	3.89	31.0	3.94	30.0	3.97	29.0	4.04	28.0	4.11	26.0	4.13	26.0	4.10	25.0	3.90
16	930	10226	25776		24837		24603		23898		23429	22121	20780	19082	17161	12375	-	-	-	-	-	-
			34.0	4.20	33.0	4.27	33.0	4.28	32.0	4.34	32.0	4.37	30.0	4.44	29.0	4.52	27.0	4.55	27.0	4.54	26.0	4.38
17	960	10556	26608		25698		25471		24789		24334	23090	21791	20260	18546	14161	-	-	-	-	-	-
			36.0	4.62	35.0	4.69	34.0	4.71	34.0	4.76	33.0	4.79	32.0	4.87	30.0	4.95	29.0	4.99	28.0	5.01	27.0	4.88
18	990	10886	27439		26557		26337		25675		25234	24052	22792	21420	19758	15746	-	-	-	-	-	-
			37.0	5.06	36.0	5.14	36.0	5.16	35.0	5.21	34.0	5.25	33.0	5.33	32.0	5.41	30.0	5.47	29.0	5.56	29.0	5.58
19	1000	10996	27717		26843		26625		25970		25533	24371	23123	21803	20158	16266	-	-	-	-	-	-
			38.0	5.22	37.0	5.29	36.0	5.31	35.0	5.37	35.0	5.40	33.0	5.49	32.0	5.57	30.0	5.63	29.0	5.66	29.0	5.58
20	1020	11215	28271		27415		27201		26559		26131	25007	23783	22560	20953	17259	-	-	-	-	-	-
			39.0	5.54	37.0	5.61	37.0	5.63	36.0	5.69	36.0	5.73	34.0	5.82	33.0	5.89	31.0	5.97	30.0	6.00	29.0	5.95
21	1040	11435	28825		27986		27776		27146		26726	25640	24440	23240	21739	18218	-	-	-	-	-	-
			40.0	5.87	38.0	5.95	38.0	5.97	37.0	6.02	37.0	6.06	35.0	6.15	34.0	6.24	32.0	6.32	31.0	6.35	30.0	6.32
22	1070	11765	29657		28841		28637		28025		27616	26584	25418	24252	22906	19635	-	-	-	-	-	-
			41.0	6.39	40.0	6.47	39.0	6.49	39.0	6.55	38.0	6.59	37.0	6.69	35.0	6.77	34.0	6.85	32.0	6.91	31.0	6.91
23	1095	12040	30350		29552		29353		28755		28356	27359	26227	25088	23868	20798	-	-	-	-	-	-
			42.0	6.85	41.0	6.93	41.0	6.95	40.0	7.01	39.0	7.05	38.0	7.16	36.0	7.16	35.0	7.33	33.0	7.40	31.0	7.43
24	1114	12249	30876		30092		29896		29309		28917	27937	26839	25719	24592	21638	-	-	-	-	-	-
			43.0	7.21	42.0	7.30	42.0	7.32	41.0	7.38	40.0	7.42	39.0	7.52	37.0	7.61	36.0	7.70	34.0	7.78	32.0	7.83

Performance shown is for installation type A: free inlet, free outlet. Power rating (BHP) does not include drive losses. The sound ratings shown are for loudness values in fan sones at 5'0" (1.5m) in a hemispherical free field per AMCA Standard 301. Values shown are for installation type A: free inlet sone levels. Performance ratings do not include the effects of appurtenances in the airstream.

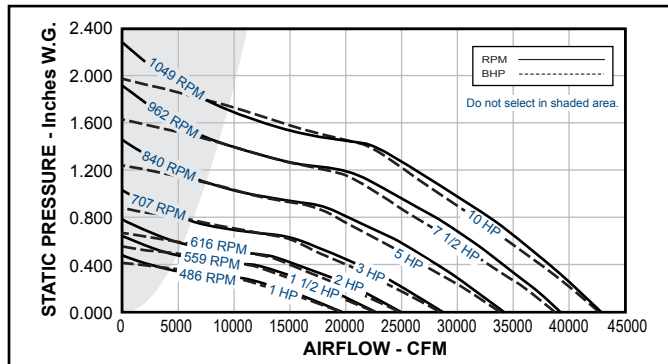
Dimensional Information & Performance Data

Breezeway Wall Mounted Propeller Fans | Belt Drive



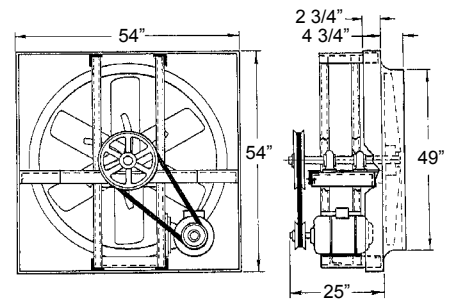
BCH48

› BCH48 Belt Drive Fan Curves



› BCH48 Belt Drive Fan Dimensional Data

Carbon Steel Panel = 16 Gage
Carbon Steel Mtr. Plate=10 Gage
Carbon Steel Tube = 16 Gage
Wall Opening = 55" SQ.
Wall Shutter ID = 54" SQ.
Max. Motor Frame Size = 286T
Peak BHP = $(RPM/555)^3$
Max. RPM = 1049 (10 HP)
Est. Ship Weight = 295 lbs.



› BCH48 Belt Drive Fan Performance Data

HP	RPM	Tip Speed FPM	0.000" SP		0.100" SP		0.125" SP		0.200" SP		0.250" SP		0.375" SP		0.500" SP		0.625" SP		0.750" SP		1.000" SP		
			Sones	BHP	Sones	BHP	Sones	BHP	Sones	BHP	Sones	BHP	Sones	BHP	Sones	BHP	Sones	BHP	Sones	BHP	Sones	BHP	Sones
1	400	5027	16306	13155	12208	8806	3537	-	-	-	-	-	-	-	-	-	-	-	-	-	-	-	-
	440	5529	9.9	0.56	9.9	0.59	9.9	0.57	9.5	0.57	9.2	0.54	-	-	-	-	-	-	-	-	-	-	-
			17936	15132	14335	11467	9128	-	-	-	-	-	-	-	-	-	-	-	-	-	-	-	-
486	6107	15.0	0.74	15.4	0.78	14.4	0.79	15.8	0.78	15.8	0.74	-	-	-	-	-	-	-	-	-	-	-	
		19811	17327	16629	14313	12435	-	-	-	-	-	-	-	-	-	-	-	-	-	-	-	-	-
1 1/2	490	6158	14.2	1.00	14.2	1.04	14.2	1.05	14.2	1.06	14.0	1.04	-	-	-	-	-	-	-	-	-	-	-
			19974	17514	16824	14541	12696	4341	-	-	-	-	-	-	-	-	-	-	-	-	-	-	-
	525	6597	16.8	1.26	16.7	1.31	16.6	1.32	16.7	1.34	16.8	1.33	15.5	1.23	-	-	-	-	-	-	-	-	-
2	570	7163	22787	20693	20102	18259	16890	12841	-	-	-	-	-	-	-	-	-	-	-	-	-	-	-
			19.4	1.52	19.2	1.57	19.1	1.58	18.9	1.62	19.5	1.62	19.0	1.55	-	-	-	-	-	-	-	-	-
3	600	7540	23236	21188	20613	18825	17507	13573	5388	-	-	-	-	-	-	-	-	-	-	-	-	-	-
			20.0	1.61	20.0	1.66	20.0	1.68	19.8	1.71	20.0	1.72	20.0	1.66	19.4	1.55	-	-	-	-	-	-	-
	616	7741	24459	22521	21995	20312	19111	15541	8970	-	-	-	-	-	-	-	-	-	-	-	-	-	-
5	620	7791	23.0	1.87	22.0	1.93	22.0	1.95	22.0	1.99	22.0	2.00	23.0	1.96	22.0	1.82	-	-	-	-	-	-	-
			25111	23228	22726	21096	19948	16573	11910	-	-	-	-	-	-	-	-	-	-	-	-	-	-
	660	8294	24.0	2.03	24.0	2.09	24.0	2.10	24.0	2.15	23.0	2.16	24.0	2.14	24.0	2.02	-	-	-	-	-	-	-
7 1/2	710	8922	25274	23404	22909	21290	20156	16830	12683	-	-	-	-	-	-	-	-	-	-	-	-	-	-
			25.0	2.07	24.0	2.13	24.0	2.14	24.0	2.19	24.0	2.21	25.0	2.18	25.0	2.08	-	-	-	-	-	-	-
	770	9676	26905	25159	24700	23220	22176	19286	15793	8604	-	-	-	-	-	-	-	-	-	-	-	-	-
10	840	10556	29.0	2.49	28.0	2.56	28.0	2.58	28.0	2.62	28.0	2.65	29.0	2.66	29.0	2.58	29.0	2.41	-	-	-	-	-
			28820	27203	26775	25424	24474	21930	18861	15556	7493	-	-	-	-	-	-	-	-	-	-	-	-
	850	10681	32.0	3.06	31.0	3.14	30.0	3.42	30.0	3.20	29.0	3.24	29.0	3.28	30.0	3.23	29.0	3.12	29.0	2.95	-	-	-
10	970	12189	28943	27333	26907	25563	24619	22090	19054	15793	7796	-	-	-	-	-	-	-	-	-	-	-	-
			32.0	3.10	31.0	3.18	31.0	3.19	30.0	3.24	29.0	3.28	29.0	3.32	30.0	3.27	29.0	3.16	28.0	2.98	-	-	-
	990	12441	31389	29921	29527	28328	27470	25238	22721	19765	16597	-	-	-	-	-	-	-	-	-	-	-	-
10	1015	12755	35.0	3.96	34.0	4.04	34.0	4.06	33.0	4.11	32.0	4.15	31.0	4.23	30.0	4.22	29.0	4.14	29.0	4.01	-	-	-
			33019	31627	31260	30138	29332	27243	24976	22338	19453	8006	-	-	-	-	-	-	-	-	-	-	-
	1035	13006	37.0	4.61	36.0	4.69	36.0	4.71	35.0	4.77	34.0	4.81	32.0	4.90	31.0	4.93	30.0	4.87	29.0	4.77	27.0	4.44	-
10	1049	13182	34242	32900	32554	21472	30715	28716	26677	24204	21423	11532	-	-	-	-	-	-	-	-	-	-	-
			39.0	5.14	38.0	5.23	37.0	5.25	36.0	5.31	36.0	5.35	34.0	5.44	32.0	5.49	31.0	5.47	31.0	5.37	29.0	4.97	-
	1049	13182	34650	33323	32984	31915	31173	29204	27104	24780	22074	12914	-	-	-	-	-	-	-	-	-	-	-
10	970	12189	40.0	5.33	38.0	5.41	38.0	5.43	37.0	5.50	36.0	5.54	35.0	5.63	33.0	5.69	32.0	5.67	31.0	5.58	29.0	5.18	-
			36280	35014	34697	33679	32997	31137	29188	27051	24641	19252	-	-	-	-	-	-	-	-	-	-	-
	990	12441	42.0	6.11	41.0	6.20	40.0	6.23	39.0	6.29	39.0	6.34	37.0	6.44	35.0	6.52	33.0	6.53	33.0	6.47	32.0	6.20	-
10	970	12189	37096	35857	35547	34557	33891	32091	30202	28165	25901	20780	-	-	-	-	-	-	-	-	-	-	-
			43.0	6.54	42.0	6.63	42.0	6.65	40.0	6.72	40.0	6.76	38.0	6.87	36.0	6.96	34.0	6.99	34.0	6.94	33.0	6.69	-
	950	11938	38726	37539	37243	36306	35668	33969	32181	30286	28223	23428	-	-	-	-	-	-	-	-	-	-	-
10	970	12189	46.0	7.44	44.0	7.53	44.0	7.56	43.0	7.63	42.0	7.67	40.0	7.79	38.0	7.89	36.0	7.94	35.0	7.93	35.0	7.73	-
			39216	38043	37750	36828	36198	34529	32770	30915	28904	24218	-	-	-	-	-	-	-	-	-	-	-
	962	12089	46.0	7.72	45.0	7.82	45.0	7.84	43.0	7.92	43.0	7.96	41.0	8.087	39.0	8.18	37.0	8.25	36.0	8.24	35.0	8.05	-
10	970	12189	39542	38379	38089	37176	36551	34902	33161	31333	29355	24741	-	-	-	-	-	-	-	-	-	-	-
			47.0	7.91	45.0	8.01	45.0	8.04	44.0	8.11	43.0	8.16	41.0	8.27	39.0	8.38	37.0	8.45	36.0	8.45	35.0	8.27	-
	990	12441	40357	39218	38933	38045	37433	35830	34135	32372	30476	26038	-	-	-	-	-	-	-	-	-	-	-
10	1015	12755	48.0	8.41	47.0	8.52	46.0	8.54	45.0	8.62	44.0	8.66	42.0	8.78	40.0	8.89	39.0	8.98	37.0	9.00	36.0	8.84	-
			41376	40265	39987	39128	38531	36984	35344	33647	31821	27646	-	-	-	-	-	-	-	-	-	-	-
	1035	13006	50.0	9.07	48.0	9.17	48.0	9.20	47.0	9.27	46.0	9.32	44.0	9.45	42.0	9.56	40.0	9.67	38.0	9.70	37.0	9.58	-
10	970	12189	42191	41102	40830	39992	39406	37903	36305	34641	32878	28916	-	-	-	-	-	-	-	-	-	-	-
			51.0	9.61	50.0	9.72	49.0	9.75	48.0	9.83	47.0	9.88	45.0	10.00	43.0	10.12	41.0	10.23	39.0	10.27	38.0	10.19	-
	1049	13182	42762	41687	41419	40596	40018	38544	36971	35333	33614	29797	-	-	-	-	-	-	-	-	-	-	-
10	1049	13182	52.0	10.01	51.0	10.12	50.0	10.14	49.0	10.22	48.0	10.28	46.0	10.40	44.0	10.52	42.0	10.63	40.0	10.69	38.0	10.63	-

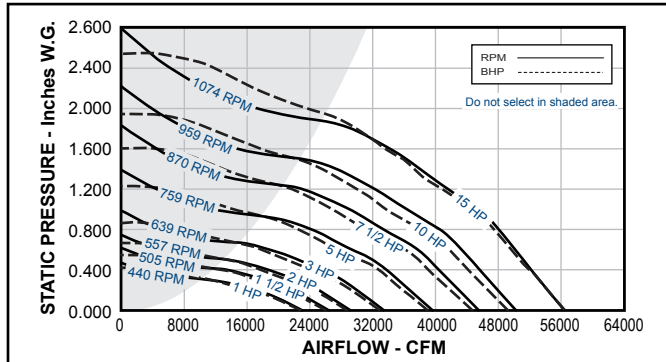
Performance shown is for installation type A: free inlet, free outlet. Power rating (BHP) does not include drive losses. The sound ratings shown are for loudness values in fan sones at 50' (1.5m) in a hemispherical free field per AMCA Standard 301. Values shown are for installation type A: free inlet sone levels. Performance ratings do not include the effects of appurtenances in the airstream.

©PENN BARRY 2008

Wall Mounted Propeller Fans

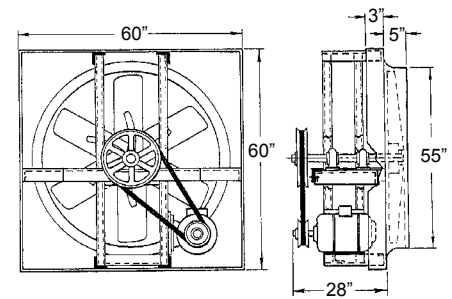
Breezeway

› BCH54 Belt Drive Fan Curves



› BCH54 Belt Drive Fan Dimensional Data

Carbon Steel Panel = 16 Gage
Carbon Steel Mtr. Plate=10 Gage
Carbon Steel Tube = 16 Gage
Wall Opening = 61" SQ.
Wall Shutter ID = 60" SQ.
Max. Motor Frame Size = 286T
Peak BHP = (RPM/416) ³
Max. RPM = 1074 (15 HP)
Est. Ship Weight = 335 lbs.



› BCH54 Belt Drive Fan Performance Data

HP	RPM	Tip Speed FPM	0.000" SP		0.100" SP		0.125" SP		0.200" SP		0.250" SP		0.375" SP		0.500" SP		0.625" SP		0.750" SP		1.000" SP		
			Sones	BHP	Sones	BHP	Sones	BHP	Sones	BHP	Sones	BHP	Sones	BHP	Sones	BHP	Sones	BHP	Sones	BHP	Sones	BHP	Sones
1	300	4241	15731		10711		8686		-		-		-		-		-		-		-		-
			8.5	0.33	7.5	0.34	7.4	0.333	-	-	-	-	-	-	-	-	-	-	-	-	-	-	-
	340	4807	17828		13961		12337		-		-		-		-		-		-		-		-
			10.7	0.47	9.8	0.49	9.4	0.49	-	-	-	-	-	-	-	-	-	-	-	-	-	-	-
1 1/2	440	6220	23072		20334		19647		16439		13927		-		-		-		-		-		-
			16.9	1.03	16.2	1.05	16.0	1.05	15.1	1.07	14.7	1.05	-	-	-	-	-	-	-	-	-	-	-
	450	6362	23596		20918		20252		17268		14922		-		-		-		-		-		-
			17.6	1.10	16.8	1.12	16.6	1.12	15.8	1.14	15.3	1.1	-	-	-	-	-	-	-	-	-	-	-
2	505	7139	26480		24108		23498		21572		19462		13255		-		-		-		-		-
			21.0	1.55	20.0	1.58	19.9	1.58	19.3	1.59	18.9	1.61	18.0	1.52	-	-	-	-	-	-	-	-	-
	510	7210	26743		24397		23789		21945		19872		13984		-		-		-		-		-
			21.0	1.59	20.0	1.62	20.0	1.63	19.6	1.64	19.2	1.65	18.3	1.58	-	-	-	-	-	-	-	-	-
3	557	7874	29207		27083		26515		24879		23548		18852		-		-		-		-		-
			26.0	2.08	25.0	2.11	25.0	2.12	24.0	2.13	23.0	2.14	23.0	2.14	-	-	-	-	-	-	-	-	-
	560	7917	29365		27253		26688		25062		23773		19101		-		-		-		-		-
			26.0	2.11	25.0	2.14	25.0	2.15	24.0	2.16	24.0	2.17	24.0	2.17	-	-	-	-	-	-	-	-	-
5	639	9034	33507		31696		31201		29735		28796		25495		21360		-		-		-		-
			37.0	3.14	37.0	3.16	37.0	3.18	35.0	3.21	34.0	3.21	34.0	3.24	36.0	3.22	-	-	-	-	-	-	-
	650	9189	34084		32309		31822		30375		29452		26371		22322		16821		-		-		-
			37.0	3.30	37.0	3.33	37.0	3.34	35.0	3.38	34.0	3.38	34.0	3.41	35.0	3.40	34.0	3.22	-	-	-	-	-
7 1/2	700	9896	36706		35075		34631		33276		32403		30173		26351		22451		-		-		-
			37.0	4.13	36.0	4.15	36.0	4.16	35.0	4.21	34.0	4.22	32.0	4.23	32.0	4.29	32.0	4.22	-	-	-	-	-
	759	10730	39800		38296		37916		36666		35833		33840		31118		27481		23812		-		-
			37.0	5.26	35.0	5.28	35.0	5.29	34.0	5.34	33.0	5.37	32.0	5.38	30.0	5.42	29.0	5.49	28.0	5.36	-	-	-
10	770	10886	40376		38894		38524		37293		34672		34512		31962		28407		24912		-		-
			37.0	5.49	36.0	5.52	35.0	5.52	34.0	5.57	34.0	5.61	32.0	5.61	31.0	5.65	30.0	5.72	29.0	5.62	-	-	-
	820	11592	42998		41607		41259		40129		39357		37490		35590		32519		29211		20950		-
			40.0	6.63	39.0	6.66	38.0	6.66	37.0	6.71	36.0	6.75	35.0	6.78	33.0	6.80	32.0	6.86	31.0	6.89	29.0	6.45	-
15	870	12299	45620		44308		43981		42941		42214		40426		38682		36426		33323		26849		-
			43.0	7.92	42.0	7.95	41.0	7.96	40.0	7.99	39.0	8.03	38.0	8.10	36.0	8.10	35.0	8.15	34.0	8.22	33.0	8.04	-
	880	12441	46145		44848		44524		43501		42782		41009		39295		37180		34145		27855		-
			44.0	8.20	42.0	8.23	42.0	8.23	41.0	8.27	40.0	8.31	38.0	8.38	36.0	8.38	35.0	8.43	34.0	8.49	33.0	8.36	-
15	900	12723	47193		45925		45608		44619		43916		42171		40504		38678		35762		29844		-
			45.0	8.77	44.0	8.80	43.0	8.80	42.0	8.84	41.0	8.88	39.0	8.96	37.0	8.96	36.0	9.00	35.0	9.06	34.0	8.99	-
	920	13006	48242		47002		46691		45734		45047		43328		41697		39992		37354		31628		-
			47.0	9.37	45.0	9.40	45.0	9.40	43.0	9.43	42.0	9.47	40.0	9.58	39.0	9.58	37.0	9.61	36.0	9.66	35.0	9.66	-
15	940	13289	49291		48077		47773		46847		46174		44492		42884		41234		38913		33197		-
			48.0	9.99	46.0	10.02	46.0	10.03	45.0	10.06	44.0	10.10	42.0	10.20	40.0	10.21	38.0	10.24	37.0	10.29	36.0	10.36	-
	959	13558	50287		49097		48800		47901		47242		45593		44007		42407		40353		34671		-
			49.0	10.61	47.0	10.64	47.0	10.65	46.0	10.67	45.0	10.71	43.0	10.82	41.0	10.85	39.0	10.86	38.0	10.91	37.0	11.07	-
15	970	13713	50864		49687		49393		48511		47859		46229		44654		43083		41181		35599		-
			50.0	10.98	48.0	11.01	48.0	11.02	46.0	11.04	45.0	11.08	43.0	11.19	41.0	11.22	40.0	11.23	38.0	11.28	37.0	11.40	-
	990	13996	51913		50760		50472		49607		48979		47382		45827		44307		42675		37271		-
			51.0	11.67	49.0	11.70	49.0	11.71	48.0	11.73	47.0	11.77	44.0	11.88	42.0	11.93	41.0	11.93	39.0	11.98	38.0	12.13	-
15	1010	14279	52961		51831		51549		50702		50096		48531		46996		45510		43945		38924		-
			52.0	12.40	50.0	12.43	50.0	12.43	49.0	12.46	48.0	12.49	46.0	12.60	44.0	12.67	42.0	12.67	40.0	12.71	39.0	12.85	-
	1030	14561	54010		52902		52625		51794		51211		49676		48159		46703		45187		40553		-
			54.0	13.15	52.0	13.18	51.0	13.19	50.0	13.21	49.0	13.24	47.0	13.35	45.0	13.44	43.0	13.44	41.0	13.47	40.0	13.60	-
15	1050	14844	55059		53972		53700		52885		52323		50817		49318		47890		46422		42154		-
			55.0	13.93	53.0	13.96	53.0	13.97	52.0	13.99	51.0	14.02	48.0	14.13	46.0	14.24	44.0	14.24	42.0	14.26	41.0	14.38	-
	1074	15183	56317		55255		54989		54192		53655		52183		50711		49307		47895		44056		-
			57.0	14.91	55.0	14.94	55.0	14.94	53.0	14.97	52.0	14.99	50.0	15.11	48.0	15.22	46.0	15.23	44.0	15.24	42.0	15.35	-

Performance shown is for installation type A: free inlet, free outlet. Power rating (BHP) does not include drive losses. The sound ratings shown are for loudness values in fan sones at 5'0" (1.5m) in a hemispherical free field per AMCA Standard 301. Values shown are for installation type A: free inlet some levels. Performance ratings do not include the effects of appurtenances in the airstream.

Wall Mounted Propeller Fans

Breezeway

Dimensional Information & Performance Data

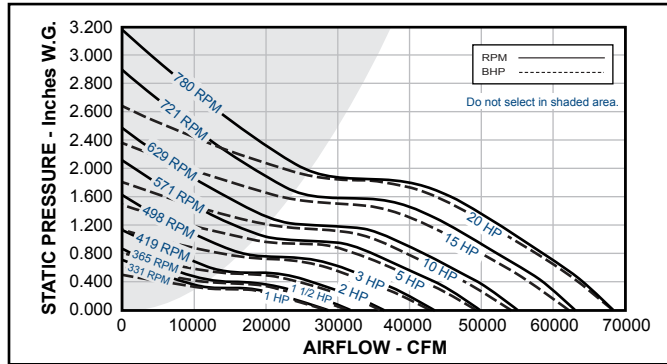
Breezeway Wall Mounted Propeller Fans | Belt Drive



Wall Mounted Propeller Fans

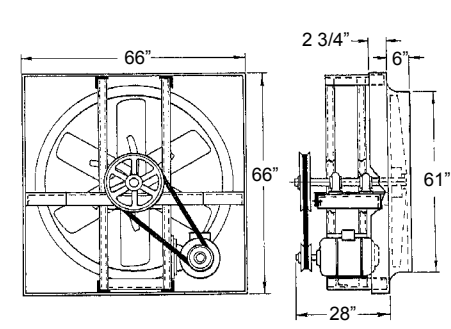
BCH60

› BCH60 Belt Drive Fan Curves



› BCH60 Belt Drive Fan Dimensional Data

Carbon Steel Panel = 16 Gage
Carbon Steel Mtr. Plate=10 Gage
Carbon Steel Tube = 16 Gage
Wall Opening = 67" SQ.
Wall Shutter ID = 66" SQ.
Max. Motor Frame Size = 286T
Peak BHP = (RPM/246) ³
Max. RPM = 780 (20 HP)
Est. Ship Weight = 420 lbs.



› BCH60 Belt Drive Fan Performance Data

HP	RPM	Tip Speed FPM	0.000" SP		0.100" SP		0.125" SP		0.200" SP		0.250" SP		0.375" SP		0.500" SP		0.625" SP		0.750" SP		1.000" SP			
			Sones	BHP	Sones	BHP	Sones	BHP	Sones	BHP	Sones	BHP	Sones	BHP	Sones	BHP	Sones	BHP	Sones	BHP	Sones	BHP	Sones	BHP
1 1/2	241	3786	21063	15681	13828	-	-	-	-	-	-	-	-	-	-	-	-	-	-	-	-	-	-	
	270	4241	10.2	0.59	9.7	0.62	9.8	0.62	-	-	-	-	-	-	-	-	-	-	-	-	-	-	-	
			23598	18983	17597	-	-	-	-	-	-	-	-	-	-	-	-	-	-	-	-	-	-	-
331	5199	28929	25548	24423	21005	17965	-	-	-	-	-	-	-	-	-	-	-	-	-	-	-	-		
		18.0	1.52	16.9	1.57	16.6	1.58	16.7	1.60	17.1	1.60	-	-	-	-	-	-	-	-	-	-	-	-	
2	340	5341	29716	26485	25389	22081	19435	-	-	-	-	-	-	-	-	-	-	-	-	-	-	-	-	
	365	5733	18.9	1.65	17.8	1.70	17.4	1.74	17.4	1.74	17.7	1.74	-	-	-	-	-	-	-	-	-	-	-	
			31901	28976	20834	24948	22847	-	-	-	-	-	-	-	-	-	-	-	-	-	-	-	-	-
3	370	5812	21.0	2.04	20.0	2.10	20.0	2.11	19.6	2.14	19.8	2.15	-	-	-	-	-	-	-	-	-	-	-	
			32338	29461	28557	25515	23476	-	-	-	-	-	-	-	-	-	-	-	-	-	-	-	-	-
	419	6582	32338	29461	28557	25515	23476	-	-	-	-	-	-	-	-	-	-	-	-	-	-	-	-	
5	430	6754	22.0	2.12	21.0	2.19	21.0	2.20	20.0	2.23	20.0	2.24	-	-	-	-	-	-	-	-	-	-	-	
			36620	34154	33453	30927	29128	24180	-	-	-	-	-	-	-	-	-	-	-	-	-	-	-	-
	498	7823	26.0	3.08	25.0	3.16	25.0	3.17	24.0	3.21	24.0	3.23	24.0	3.25	-	-	-	-	-	-	-	-	-	
7 1/2	510	8011	37582	35196	34513	32108	30360	25766	-	-	-	-	-	-	-	-	-	-	-	-	-	-	-	
			27.0	3.33	26.0	3.41	26.0	3.43	25.0	3.47	24.0	3.49	24.0	3.52	-	-	-	-	-	-	-	-	-	-
	545	8561	43525	41530	40977	39208	37731	33957	29964	18028	-	-	-	-	-	-	-	-	-	-	-	-		
10	571	8969	33.0	5.18	31.0	5.27	31.0	5.29	30.0	5.35	30.0	5.37	29.0	5.43	27.0	5.47	25.0	5.38	-	-	-	-	-	
			44574	42626	42105	40378	38997	35318	31527	24750	-	-	-	-	-	-	-	-	-	-	-	-	-	-
	710	10367	34.0	5.56	33.0	5.65	32.0	5.68	31.0	5.74	31.0	5.77	29.0	5.83	28.0	5.87	27.0	5.75	-	-	-	-	-	
15	580	9111	47632	45810	45354	43761	42643	39218	35774	31807	19636	-	-	-	-	-	-	-	-	-	-	-	-	
			37.0	6.78	36.0	6.89	35.0	6.91	34.0	6.98	34.0	7.02	32.0	7.09	30.0	7.15	30.0	7.16	28.0	7.06	-	-	-	-
	600	9425	49905	48165	47731	46250	45222	42053	38752	35350	30653	-	-	-	-	-	-	-	-	-	-	-	-	
20	640	10053	39.0	7.80	38.0	7.91	38.0	7.94	37.0	8.01	36.0	8.05	34.0	8.13	32.0	8.19	31.0	8.24	31.0	8.20	-	-	-	-
			50692	48979	48551	47108	46095	43022	39775	36488	32359	-	-	-	-	-	-	-	-	-	-	-	-	-
	730	11467	40.0	8.18	39.0	8.29	38.0	8.31	37.0	8.38	37.0	8.43	35.0	8.51	33.0	8.58	32.0	8.63	31.0	8.62	-	-	-	-
25	660	10367	52440	50784	50370	49007	4028	45159	42030	38914	35274	-	-	-	-	-	-	-	-	-	-	-	-	
			42.0	9.05	40.0	9.16	40.0	9.19	39.0	9.27	38.0	9.31	37.0	9.41	34.0	9.48	33.0	9.54	33.0	9.56	-	-	-	-
	745	11702	53751	52135	51732	50426	49471	46748	43703	40651	37385	-	-	-	-	-	-	-	-	-	-	-	-	
30	680	10681	43.0	9.75	42.0	9.86	41.0	9.89	40.0	9.97	40.0	10.02	38.0	10.12	36.0	10.19	34.0	10.26	34.0	10.30	-	-	-	-
			54974	53395	53000	51745	50812	48221	45251	42257	39168	22607	-	-	-	-	-	-	-	-	-	-	-	-
	750	12174	44.0	10.43	43.0	10.55	43.0	10.58	42.0	10.66	41.0	10.71	39.0	10.81	37.0	10.89	35.0	10.96	34.0	11.02	33.0	10.86	-	-
35	640	10053	55936	54384	53996	52780	51862	49373	46459	43508	40554	27400	-	-	-	-	-	-	-	-	-	-	-	
			45.0	10.99	44.0	11.11	44.0	11.14	43.0	11.22	42.0	11.27	40.0	11.38	38.0	11.46	36.0	11.54	35.0	11.60	34.0	11.23	-	-
	760	11938	57684	56179	55802	54655	53765	51453	48631	45775	42946	35529	-	-	-	-	-	-	-	-	-	-	-	
40	660	10367	47.0	12.05	46.0	12.17	45.0	12.20	44.0	12.29	44.0	12.34	42.0	12.47	39.0	12.55	37.0	12.63	36.0	12.70	36.0	12.67	-	-
			59432	57971	57606	56510	55660	53501	50779	48017	45256	38871	-	-	-	-	-	-	-	-	-	-	-	-
	770	12174	49.0	13.18	47.0	13.30	47.0	13.34	46.0	13.43	45.0	13.48	44.0	13.62	41.0	13.71	39.0	13.79	37.0	13.86	37.0	13.91	-	-
45	700	10996	61180	59761	59406	58342	57548	55450	52907	50234	47537	41763	-	-	-	-	-	-	-	-	-	-	-	
			51.0	14.37	49.0	14.50	49.0	14.54	48.0	14.64	47.0	14.69	45.0	14.83	43.0	14.93	41.0	15.02	39.0	15.10	38.0	15.19	-	-
	721	11325	63015	61637	61293	60260	59522	57486	55124	52539	49919	44554	-	-	-	-	-	-	-	-	-	-	-	
50	730	11467	53.0	15.71	52.0	15.84	51.0	15.88	50.0	15.98	50.0	16.04	48.0	16.18	45.0	16.29	43.0	16.38	41.0	16.47	39.0	16.59	-	-
			63802	62441	62101	61080	60366	58355	56068	53517	50932	45694	-	-	-	-	-	-	-	-	-	-	-	-
	745	11702	54.0	16.30	53.0	16.44	53.0	16.47	51.0	16.58	51.0	16.64	49.0	16.78	47.0	16.90	44.0	16.99	42.0	17.08	40.0	17.22	-	-
55	760	11938	65112	63779	63446	62446	61770	59800	57636	55136	52610	47579	-	-	-	-	-	-	-	-	-	-	-	
			56.0	17.33	55.0	17.47	55.0	17.50	54.0	17.61	53.0	17.68	51.0	17.82	49.0	17.95	47.0	18.04	44.0	18.13	42.0	18.29	-	-
	775	12174	66424	65117	64790	63810	63156	61239	59195	56744	54276	49345	-	-	-	-	-	-	-	-	-	-	-	
60	775	12174	59.0	18.40	57.0	18.54	57.0	18.57	56.0	18.68	55.0	18.75	53.0	18.90	51.0	19.04	49.0	19.13	46.0	19.23	43.0	19.39	-	-
			67735	66453	66133	65171	64531	62675	60746	58343	55931	51083	-	-	-	-	-	-	-	-	-	-	-	-
	780	12252	61.0	19.51	59.0	19.65	59.0	19.69	58.0	19.80	57.0	19.87	55.0	20.02	53.0	20.17	51.0	20.27	49.0	20.37	45.0	20.54	-	-
65	780	12252	68172	66898	66580	65625	64988	63152	61262	58874	56480	51660	-	-	-	-	-	-	-	-	-	-	-	
			62.0	19.89	60.0	20.03	60.0	20.07	59.0	20.18	58.0	20.25	56.0	20.41	54.0	20.56	52.0	20.66	49.0	20.76	45.0	20.93	-	-

Performance shown is for installation type A: free inlet, free outlet. Power rating (BHP) does not include drive losses. The sound ratings shown are for loudness values in fan sones at 50' (1.5m) in a hemispherical free field per AMCA Standard 301. Values shown are for installation type A: free inlet sone levels. Performance ratings do not include the effects of appurtenances in the airstream.

©PENN BARRY 2008

B
r
e
e
z
e
w
a
y

› **Model**

BC
BX
BCH
BLL
BHM
BHH
P

› **Unit Size**

10	12	14	16	18	20	24
30	36	42	48	54	60	

› **Drive Type**

D = Direct Drive B = Belt Drive

› **Motor Tap**

M = 690 RPM	Q1A = 1650 RPM
Q1 = 1750 RPM	Q = 1725 RPM
T = 1140 RPM	Q2 = 1750 RPM
T2 = 1140 RPM	T1 = 1140 RPM
W1 = 860 RPM	W = 860 RPM
W3 = 860 RPM	W2 = 860 RPM
RA = 1550 RPM	SA = 1300 RPM
VA = 1050 RPM	TA = 1140 RPM

› **Motor Speed**

1 = Single Speed
2 = 2S2W Single & Three Phase
3 = 2S1W Three Phase

› **Horse Power**

1/30	1/12	1/6	1/4	1/3
1/2	3/4	1	1 1/2	2
3	5	7 1/2	10	15
20				

› **Enclosure**

O = Open Drip Proof
T = Totally Enclosed
E = Explosion Proof
X = Special

› **Voltage**

A = 110V	G = 230V
B = 115V	H = 240V
C = 120V	N = 440V
D = 200V	P = 460V
E = 208V	Q = 480V
F = 220V	R = 575V
X = Special	

› **Phase**

1 = Single 3 = Three

› **Frequency**

5 = 50 Hz 6 = 60 Hz

› **Efficiency**

S = Standard
P = Premium
X = Special

› **Application**

E = Exhaust S = Supply

› **Paint / Coating**

0 = None
F = Epoxy Powder Coat*
G = Epoxy Powder Coat with UV*
K = Phenolic Powder Coat*
L = Phenolic Powder Coat with UV*
N = Polyester Powder Coat
1 = Polyester Powder Coat - Fan & Accessories
2 = Epoxy Powder Coat* - Fan & Accessories
3 = Epoxy Powder Coat with UV* - Fan & Accessories
4 = Phenolic Powder Coat* - Fan & Accessories
5 = Phenolic Powder Coat* - Fan & Accessories
X = Special
** Not available with choice of color.*

› **Color**

0 = None
50 = Chrome Green
53 = Williamsburg Blue
55 = Pale Green
56 = Dove Gray
61 = White
63 = Oxford Beige
65 = Dover White
66 = Desert Tan
70 = Black
73 = Smoke Gray
77 = Brick Red
79 = Peppercorn
81 = Pale Brown
83 = Chocolate Brown
85 = Timeless Bronze
94 = Charcoal
X = Special

› **Shutter**

0 = None
A = Steel Wall Exhaust Shutter Blades
B = Alum. Wall Exhaust Shutter Blades
C = Steel WS 115V Motor Exhaust
T = Steel WS 230V Motor Exhaust
E = Steel WS 460V Motor Exhaust
G = Alum. WS 115V Motor Exhaust
U = Alum. WS 230V Motor Exhaust
I = Alum. WS 460V Motor Exhaust
S = Steel WS 115V Explosion Proof Motor Operated
K = Steel Blades 115V Motor Supply Shutter
K = Steel Blades 230V Motor Supply Shutter
K = Steel Blades 460V Motor Supply Shutter
X = Special

› **Extended Lube Lines**

(With Assembled Wall Sleeve Only)
0 = None
L = Lube Lines

› **Front Guard**

0 = None
A = Assembled (P, BX, BC, BLL, BCH Standard, BHH/BHM Optional)
B = Knocked Down (BHH, BHM Standard)

› **Rear Guard without Wall Sleeve**

0 = None
A = Assembled (P, BX, BC, BLL, BCH Standard, BHH/BHM Optional)
B = Knocked Down (BHH, BHM Standard)

› **Weathershield with Guard**

0 = None
A = Assembled (P, BX, BC, BLL, BCH Standard, BHH/BHM Optional)
B = Knocked Down (BHH, BHM Standard)

› **Wall Sleeve with Rear Guard**

0 = None
A = Assembled (P, BX, BC, BLL, BCH Standard, BHH/BHM Optional)
B = Knocked Down (BHH, BHM Standard)

› **Front Guard for Wall Sleeve**

0 = None
A = Assembled

› **Thermal Overload Protection**

0 = None
P = Thermal Overload Protection

› **Disconnect Switch**

0 = None
1 = Nema 1 Disconnect Switch
3R = Nema 3R Disconnect Switch
4 = Nema 4 Disconnect Switch
7 = Nema 7 Disconnect Switch
9 = Nema 9 Disconnect Switch
X = Special

› **Internal Wiring**

0 = None
3R = Nema 3 Wiring; 6ft Pigtail
X = Special

› **Firestat Switch**

0 = None
F = Firestat Switch

› **P-Series Speed Control**

0 = None
L = Loose
X = Special

› **P-Series Fan Pack**

0 = None
F = Fan Pack

Engineering Specifications

› P-Series

Direct drive Axial Panel exhaust or supply fan shall be Breezeway P manufactured by PennBarry, Richardson, Texas.

Motors are rigidly mounted on a heavy gauge wire basket/rear guard of concentric rings meeting OSHA specification. Vibration isolation is provided between the motor/guard assembly and a coated steel fan panel featuring welded corners, pre-punched mounting holes, and a deeply spun venturi. Statically balanced propellers are die formed aluminum. Motors shall be continuous duty, multi-speed (for applicable models) and permanently lubricated.

Each fan shall bear the AMCA Licensed Ratings Seal for Air and Sound Performance, and shall be UL and CSA Listed.

› Breezex

Direct drive Axial Panel exhaust or supply fan shall be Breezeway BX manufactured by PennBarry, Richardson, Texas.

Motors are installed on a heavy gauge mounting plate welded to a formed heavy wall tubular frame, welded onto a coated steel fan panel featuring welded corners, pre-punched mounting holes, and a deeply spun venturi. Statically balanced propellers are aluminum. Motors shall be Totally Enclosed (TE), continuous duty, ball bearing design, include thermal overload protection and be reversible. A reversing switch shall be supplied. (Explosion Proof, Cls. 1, Div. 1, Grp. D, optionally available; reversing switch by others.)

› BC

Direct drive Axial Panel exhaust or supply fan shall be Breezeway BC manufactured by PennBarry, Richardson, Texas.

A heavy gauge motor mounting platform is supported by formed integral stiffening flanges and welded onto a coated steel fan panel featuring welded corners, pre-punched mounting holes, and a deeply spun venturi. Statically balanced propellers shall be cast aluminum and airfoil shaped. Motors shall be continuous duty, ball bearing design, positively cooled and furnished at the specified voltage and phase.

› BLL

Belt driven Axial Panel exhaust fan shall be Breezeway BLL manufactured by PennBarry, Richardson, Texas.

A heavy gauge motor mounting platform is supported by formed integral stiffening flanges and welded onto a coated steel fan panel featuring welded corners, pre-punched mounting holes, and a deeply spun venturi. Statically balanced propellers shall be heavy gage steel. Motors shall be continuous duty, ball bearing design, and positively cooled, furnished at the specified voltage, phase, and enclosure. Shafts shall be turned, ground and polished. Heavy duty ball bearings are rated for a minimum L50 life exceeding 200,000 hours. Pulleys shall be adjustable, cast iron, machined, keyed, securely attached and sized for 150% of the horsepower at its rated maximum speed.

Each fan shall bear the AMCA Licensed Ratings Seal for Air and Sound Performance, and shall be UL and CSA Listed.

› BHM

Belt driven Axial Panel exhaust or supply fan shall be Breezeway BHM manufactured by PennBarry, Richardson, Texas.

A heavy gauge motor mounting panel is fastened to heavy gauge structural channel framework laterally supported and fastened onto a galvanized steel fan panel featuring toggle-lock corners, pre-punched mounting holes, and a deeply spun reverse venturi. Statically balanced propellers shall be coated heavy gage steel, utilizing a fully welded, coated heavy gage steel spider. Motors shall be continuous duty, ball bearing design, and positively cooled, furnished at the specified voltage, phase, and enclosure. Shafts shall be turned, ground and polished. Heavy duty ball bearings are rated for a minimum L50 life exceeding 200,000 hours. Pulleys shall be adjustable, cast iron, machined, keyed, securely attached and sized for 150% of the horsepower at its rated maximum speed.

Each fan shall bear the AMCA Licensed Ratings Seal for Air and Sound Performance, and shall be UL and CSA Listed.

› BHH

Belt driven Axial Panel exhaust or supply fan shall be Breezeway BHH manufactured by PennBarry, Richardson, Texas.

A heavy gauge motor mounting panel is fastened to heavy gauge structural channel framework laterally supported and fastened onto a galvanized steel fan panel featuring toggle-lock corners, pre-punched mounting holes, and a deeply spun reverse venturi. Statically balanced propellers shall be coated heavy gage steel, utilizing a fully welded, coated heavy gage steel spider. Motors shall be continuous duty, ball bearing design and positively cooled, furnished at the specified voltage, phase and enclosure. Shafts shall be turned, ground and polished. Heavy duty ball bearings are rated for a minimum L50 life exceeding 200,000 hours. Pulleys shall be adjustable, cast iron, machined, keyed, securely attached and sized for 150% of the horsepower at its rated maximum speed.

Each fan shall bear the AMCA Licensed Ratings Seal for Air and Sound Performance, and shall be UL and CSA Listed.

› BCH

Belt driven Axial Panel exhaust fan shall be Breezeway BCH manufactured by PennBarry, Richardson, Texas.

A heavy gauge motor mounting panel is welded to heavy gauge structural angle and tubular welded framework laterally supported and welded onto a coated steel fan panel featuring welded corners, pre-punched mounting holes and a deeply spun venturi. Statically balanced propellers shall be cast aluminum and airfoil shaped. Motors shall be continuous duty, ball bearing design, positively cooled and furnished at the specified voltage, phase and enclosure. Shafts shall be turned, ground and polished. Heavy duty ball bearings are rated for a minimum L50 life exceeding 200,000 hours. Pulleys shall be adjustable, cast iron, machined, keyed, securely attached and sized for 150% of the horsepower at its rated maximum speed.

Each fan shall bear the AMCA Licensed Ratings Seal for Air and Sound Performance, and shall be UL and CSA Listed.

› Products Covered

PennBarry Fans and Ventilators (each, a “PennBarry Product”)

› One Year Limited Warranty For PennBarry Products

PennBarry warrants to the original commercial purchaser that the PennBarry Products will be free from defects in material and workmanship for a period of one (1) year from the date of shipment.

› Exclusive Remedy

PennBarry will, at its option, repair or replace (without removal or installation) the affected components of any defective PennBarry Product; repair or replace (without removal or installation) the entire defective PennBarry Product; or refund the invoice price of the PennBarry Product. In all cases, a reasonable time period must be allowed for warranty repairs to be completed.

› What You Must Do

In order to make a claim under these warranties:

- You must be the original commercial purchaser of the PennBarry Product.
- You must promptly notify us, within the warranty period, of any defect and provide us with any substantiation that we may reasonably request.
- The PennBarry Product must have been installed and maintained in accordance with good industry practice and any specific PennBarry recommendations.

› Exclusions

These warranties do not cover defects caused by:

- Improper design or operation of the system into which the PennBarry Product is incorporated.
- Improper installation.
- Accident, abuse or misuse.
- Unreasonable use (including any use for non-commercial purposes, failure to provide reasonable and necessary maintenance as specified by PennBarry, misapplication and operation in excess of stated performance characteristics).
- Components not manufactured by PennBarry.

› Limitations

- In all cases, PennBarry reserves the right to fully satisfy its obligations under the Limited Warranties by refunding the invoice price of the defective PennBarry Product (or, if the PennBarry Product has been discontinued, of the most nearly comparable current product).
- PennBarry reserves the right to furnish a substitute or replacement component or product in the event a PennBarry Product or any component of the product is discontinued or otherwise unavailable.
- PennBarry’s only obligation with respect to components not manufactured by PennBarry shall be to pass through the warranty made by the manufacturer of the defective component.

› General

The foregoing warranties are exclusive and in lieu of all other warranties except that of title, whether written, oral or implied, in fact or in law (including any warranty of merchantability or fitness for a particular purpose).

PennBarry hereby disclaims any liability for special, punitive, indirect, incidental or consequential damages, including without limitation lost profits or revenues, loss of use of equipment, cost of capital, cost of substitute products, facilities or services, downtime, shutdown or slowdown costs.

The remedies of the original commercial purchaser set forth herein are exclusive and the liability of PennBarry with respect to the PennBarry Products, whether in contract, tort, warranty, strict liability or other legal theory shall not exceed the invoice price charged by PennBarry to its customer for the affected PennBarry Product at the time the claim is made.

*Inquiries regarding these warranties should be sent to:
PennBarry, 1401 North Plano Road, Richardson, TX 75081*

Other PennBarry Products

Centrifugal Products



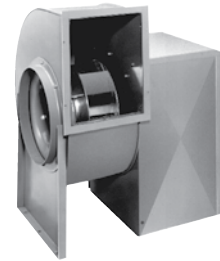
› **Domex**
Centrifugal
Roof Exhausters



› **Fumex Fatrap**
Kitchen Hood Centrifugal
Roof Exhausters



› **Zephyr**
Ceiling and Inline Fans



› **Dynamo**
Centrifugal Blowers



› **Centrex Inliner**
Centrifugal Inline Fan



› **LC Dynafan**
Low Contour Centrifugal
Roof Exhausters

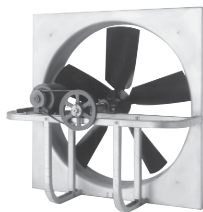


› **ESI**
Efficient Silent
Inline Fan



› **Fume Exhaust**
Curb Mounted
Centrifugal Fans

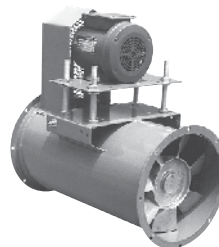
Axial / Gravity Products



› **Breezeway**
Propeller Wall Fan



› **Hi-Ex**
Power Roof Ventilator



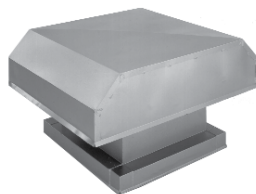
› **Tubeaxial**
Inline Fans



› **Vaneaxial**
Inline Fans



› **Powered Airette**
Axial Roof Ventilators



› **Airette**
Gravity Intake/Relief Hood



› **Domex Axial**
Axial Roof Ventilators



› **Axcentrix**
Bifurcator Fan

